



A large retaining wall system...KASTLE-wall

BENEFITS

- **Product Availability:** No more searching for natural stone. These blocks are made from poured concrete with a natural stone face.
- **Faster Installation:** Walls install faster, maximizing productivity of your equipment and reducing the manual labor associated with each project.
- **Taller Gravity Walls:** The massive size and weight of the block creates the ability to build taller unreinforced retaining walls that can be done with smaller retaining wall blocks.

FEATURES

- **Size:** Place just one block and you have installed 5.33 sq. ft. of retaining wall.
- **Engineering:** Due to their massive size, walls can be engineered up to 16' high under ideal conditions without the use of geogrid reinforcement.
- **Durability:** The block is made from wet-cast concrete with a minimum of 3,000 PSI compressive strength.
- **Aesthetics:** The block has a natural stone face look. A completed wall can be stained to provide incomparable authenticity and appeal.
- **Modular Dimensions:** With a standard face size of 48" x 16", the blocks are easy to install and can be easily substituted for other retaining wall products.

SUMMARY SPECIFICATIONS

- **Block Face:** Each full block has 5.33 sq. ft. of wall face.
- **Concrete:** Minimum of 3,000 PSI compressive strength.
- **Lifting Device:** Lifting insert anchor designed for easy attachment.
- **Minimum Inside Turning Radius:** 13.1 ft. at top course with 3.6° setback.
- Retaining wall setback of 3.6° is automatically built into the wall via the design of the tongue and groove locking mechanism. Spacer bars available to change to 7.2° setback. A 7.2° setback is achievable with 1" fiberglass spacer bars.

KASTLE-WALL UNITS

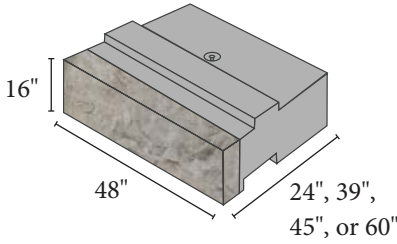
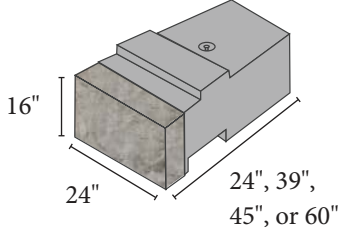
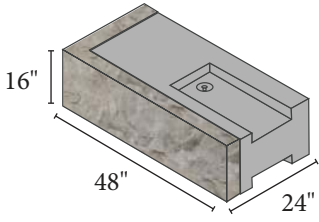
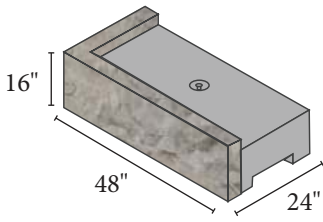
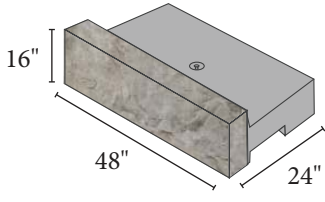
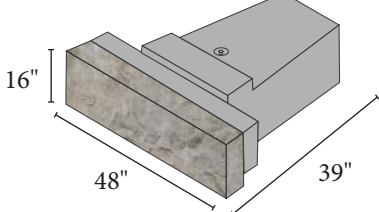
*Full Block	16" H x 48" W x 24" D min.
Half Block	16" H x 24" W x 24" D min.
Corner Block	16" H x 24" W x 24" D Right and Left
Corner Top Block	16" H x 48" W x 24" D Right and Left
Full Top Block	16" H x 48" W x 24" D
39" Fitting Block	Both sides notched 10.5" wide

*Available in 24", 39", 45", and 60" deep units

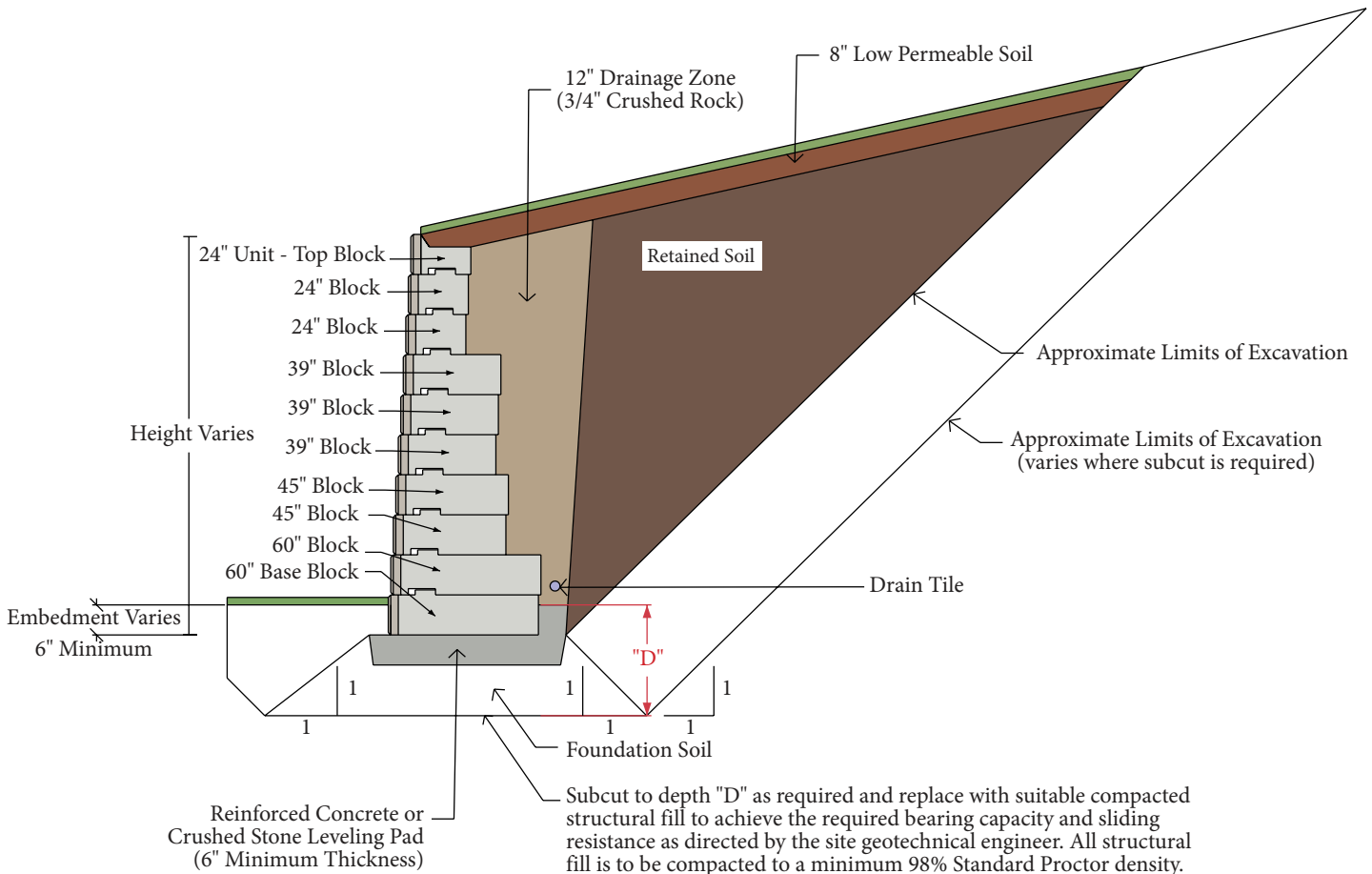
Kastle-wall is a product of ReCon Wall Systems, Inc.

YOUR MASONRY LANDSCAPE SOURCE

KASTLE-WALL

<p>Modular</p>  <p>16" height 48" length 24", 39", 45", or 60" depth</p>	<p>Half Block</p>  <p>16" height 24" length 24", 39", 45", or 60" depth</p>	<p>Corner Block</p>  <p>16" height 48" length 24" depth</p>
<p>Corner Top Block</p>  <p>16" height 48" length 24" depth</p>	<p>Full Top Block</p>  <p>16" height 48" length 24" depth</p>	<p>39" Fitting Block</p>  <p>16" height 48" length 39" depth</p> <p>Both sides notched 10.5" wide</p>

TYPICAL INSTALLATION SECTION



YOUR MASONRY LANDSCAPE SOURCE

