



Replacement Parts Guide

aquascapeinc.com



TABLE OF CONTENTS

FILTRATION 4

Skimmers	5
BioFalls®	9
Pond Waterfall Filter	11
UltraKlear®	12
UltraKlean™	13
IonGen™	15

PUMPS 16

AquaSurge®	17
AquaSurge® Adjustable Flow	18
SLD Adjustable Flow	19
PL Solids-Handling	20
PN Solids-Handling	21
AquascapePRO®	22
EcoWave™	23
AquaForce®	24
AquaForce® Adjustable Flow	25
AquaJet®	26
Pond Powerhead	28
Ultra	29
Statuary	31

AERATION 33

2 and 4-Outlet Pond Aeration Kits	34
Pro Air Pond Aeration Kit	35

LIGHTING 36

LED Lighting	37
LED Spotlight	38
Pond and Landscape LED Light Kit	39
LED Bullet Spotlight	40
LED Waterfall	41
Path and Area LED Landscape	42
Halogen	43

WATER TREATMENTS 44

Automatic Dosing Systems	45
--------------------------------	----

DECORATIVE 46

Fire Fountain	47
AquaGarden Mini Pond Kit	47

PIPE AND PLUMBING 48

Check Valves	49
--------------------	----

SKIMMER AND BIOFALLS®

REFERENCE CHARTS 51

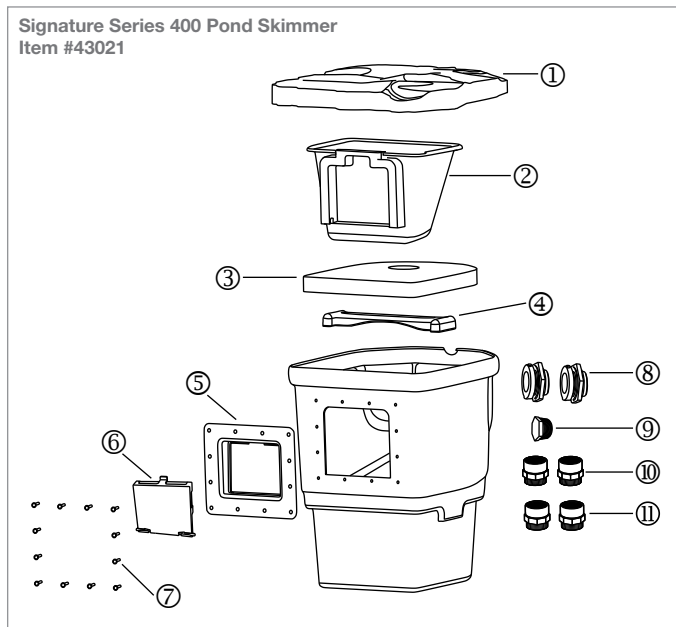
FILTRATION

DIAGRAM #	ITEM #	PRODUCT NAME	WEIGHT
SIGNATURE SERIES 200 POND SKIMMER AND MICROSIM® (G2) - ITEM #43020, #99771			
①	99772	<i>Signature Series 200 / MicroSkim® (G2) Pond Skimmer Brush Cartridge</i>	0.5
②	99775	<i>Signature Series 200 / MicroSkim® (G2) Pond Skimmer Debris Net</i>	0.45
③	29103	<i>Black Poly Bulkhead Fitting 2"</i>	0.45
④	29254	<i>Signature Series 200 / MicroSkim® (G2) Pond Skimmer Face Plate</i>	1.0
⑤	29257	<i>Signature Series 200 / MicroSkim® (G2) Pond Skimmer Weir - 6"</i>	0.2
⑥	30078	<i>Brass Screws (8-pack) - 2 sets required for full screw replacement</i>	0.1



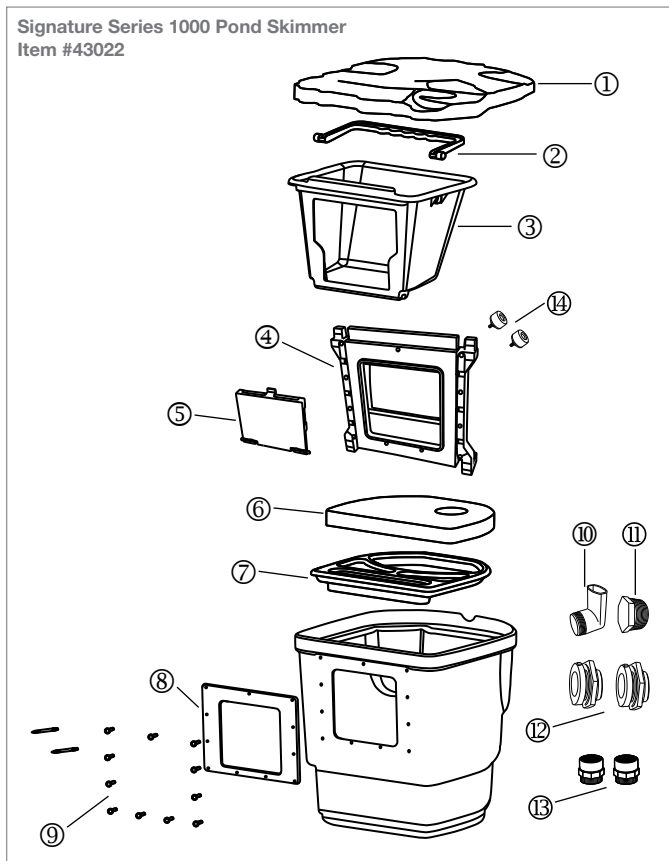
FILTRATION – SKIMMERS

DIAGRAM #	ITEM #	PRODUCT NAME	WEIGHT
SIGNATURE SERIES 400 POND SKIMMER - ITEM #43021			
①	43023	<i>Signature Series Skimmer 400/1000 Faux Rock Lid</i>	4.6
②	43007	<i>Signature Series 400 Pond Skimmer Debris Basket</i>	1.1
③	43011	<i>Signature Series 400 Pond Skimmer Filter Mat</i>	0.2
④	43008	<i>Signature Series 400 Pond Skimmer Filter Mat Support Rack</i>	0.5
⑤	43006	<i>Signature Series 400 Pond Skimmer Exterior Face Plate</i>	0.5
⑥	43005	<i>Signature Series™400 Pond Skimmer Weir Door</i>	0.25
⑦	30078	<i>Brass Screws (8-pack) - 2 sets required for full screw replacement</i>	0.1
⑧	29103	<i>Black Poly Bulkhead Fitting 2"</i>	0.75
⑨	29394	<i>Hex-Head Plug 2"</i>	0.1
⑩	29158	<i>2" MPT x 2" Slip</i>	0.25
⑪	29157	<i>2" MPT x 1.5" Slip</i>	0.2



FILTRATION – SKIMMERS

DIAGRAM #	ITEM #	PRODUCT NAME	WEIGHT
SIGNATURE SERIES 1000 POND SKIMMER - ITEM #43022			
①	43023	Signature Series 400/1000 Pond Skimmer Faux Rock Lid	4.6
②	43016	Signature Series 1000 Pond Skimmer Debris Basket Handle	0.25
③	43009	Signature Series 1000 Pond Skimmer Debris Basket (no handle)	3.25
④	43010	Signature Series 1000 Pond Skimmer Interior Weir Plate Assembly	3.0
⑤	43013	Signature Series 1000/6.0/8.0 Pond Skimmer Weir Door	0.75
⑥	56000	Signature Series 1000/6.0/8.0 Pond Skimmer Filter Mat	0.75
⑦	29655	Signature Series 1000 Pond Skimmer Filter Support Rack	1.1
⑧	43014	Signature Series 1000 Pond Skimmer Exterior Liner Plate	0.75
⑨	43027	Signature Series 1000 Pond Skimmer Hardware Bag	0.25
⑩	29149	Signature Series Pond Skimmer Overflow Elbow	0.25
⑪	29394	Hex-Head 2" Plug	0.1
⑫	29103	Black Poly Bulkhead Fitting 2"	0.75
⑬	29158	2" MPT x 2" Slip	0.25
⑭	43015	Signature Series 1000 Pond Skimmer Water Level Adjustment Thumb Screws (qty 2)	0.10



FILTRATION – SKIMMERS

DIAGRAM #	ITEM #	PRODUCT NAME	WEIGHT
SIGNATURE SERIES 6.0 AND 8.0 POND SKIMMERS - ITEM #09019, #29349			
①	29005	<i>Signature Series 6.0 and 8.0 Pond Skimmer Rock Lid</i>	5.5
②	29008	<i>Signature Series 6.0 and 8.0 Pond Skimmer Thumb Screw Set</i>	0.02
③	29214	<i>Signature Series 6.0 and 8.0 Pond Skimmer Slide Plate</i>	0.4
④	29529	<i>Signature Series 6.0 Pond Skimmer Weir Plate</i>	0.7
④	29213	<i>Signature Series 8.0 Pond Skimmer Weir Plate</i>	0.7
⑤	29530	<i>Signature Series 6.0 Pond Skimmer Weir</i>	0.3
⑤	29258	<i>Signature Series 8.0/Classic Large Pond Skimmer Weir</i>	0.3
⑥	29003	<i>Signature Series 6.0 and 8.0 Pond Skimmer Rigid Debris Basket</i>	1.8
⑦	29217	<i>Signature Series Skimmer Screw Set 10-32 x 1/2" (7-pack)</i>	0.1
⑧	29004	<i>Signature Series 6.0 and 8.0 Pond Skimmer Filter Mat</i>	0.4
⑨	29655	<i>Signature Series 1000/6.0/8.0 Pond Skimmer Filter Rack</i>	1.4
⑩	29103	<i>Black Poly Bulkhead Fitting 2"</i>	0.45
⑪	29149	<i>Signature Series Pond Skimmer Overflow Elbow</i>	0.1
⑫	29158	<i>2" MPT x 2" Slip</i>	0.25
⑬	29215	<i>Signature Series 6.0 and 8.0 Pond Skimmer Liner Plate</i>	1.7
⑭	30078	<i>Brass Screw Set (8-pack) - 2 sets required for full screw replacement</i>	0.1

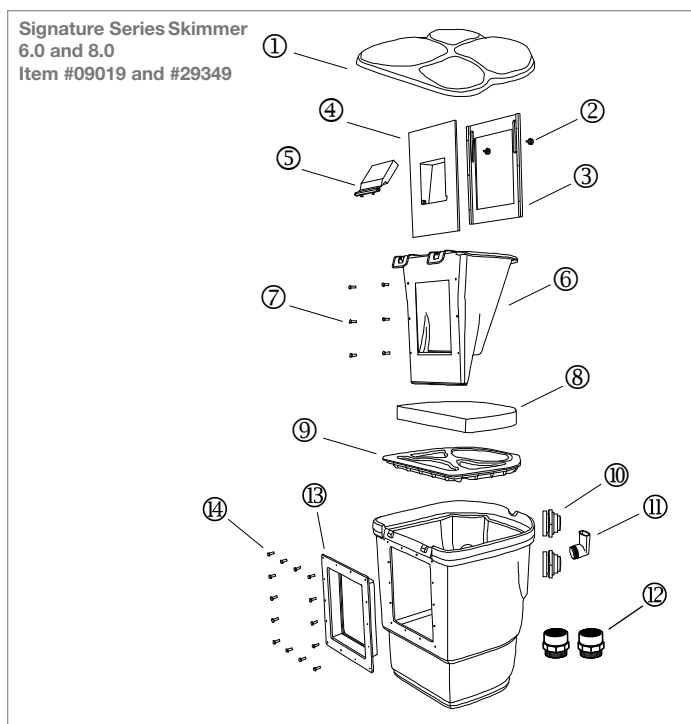
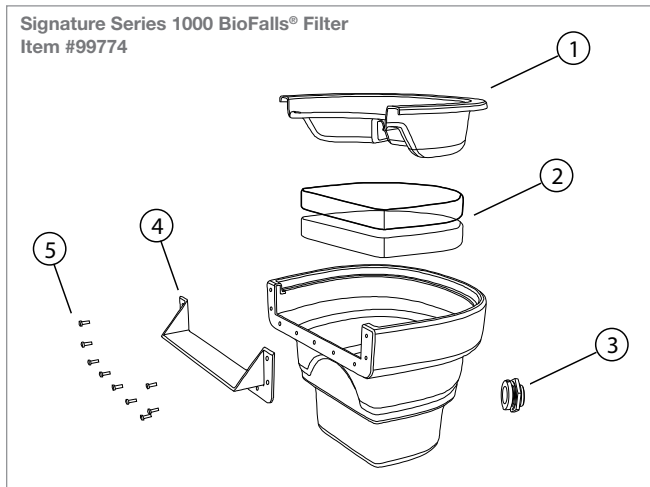
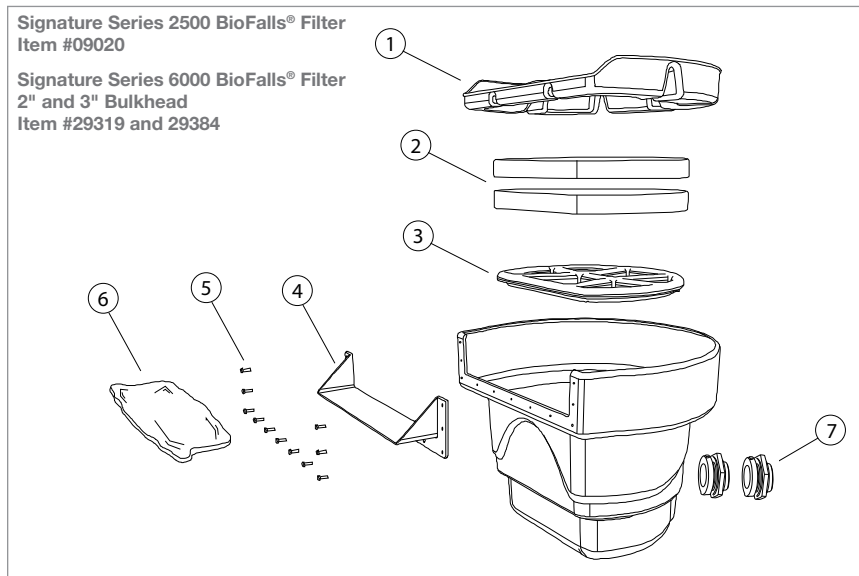


DIAGRAM #	ITEM #	PRODUCT NAME	WEIGHT
SIGNATURE SERIES 1000 BIOFALLS® FILTER - ITEM #99774			
①	98285	<i>Signature Series 1000 BioFalls®/MicroFalls® (G2) Rock Tray</i>	6.0
②	99776	<i>Signature Series 1000 BioFalls®/MicroFalls® (G2) Filter Mat (qty 1)</i>	0.25
③	29103	<i>Black Poly Bulkhead Fitting 2"</i>	0.45
④	99791	<i>Signature Series 1000 BioFalls®/MicroFalls® (G2) Filter Lip</i>	1.1
⑤	30078	<i>Brass Screw Set (8-pack) - 2 sets required for full screw replacement</i>	0.1



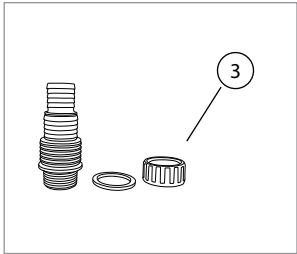
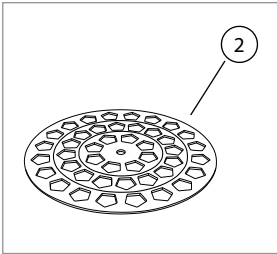
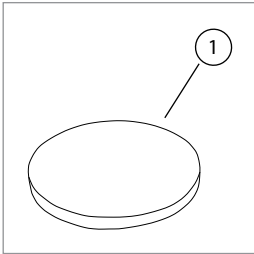
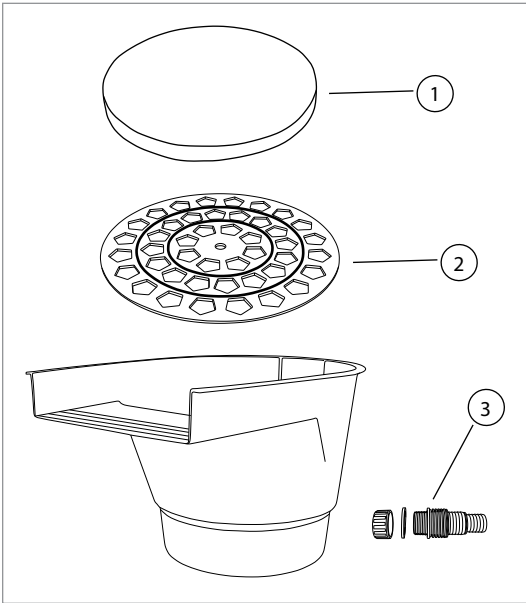
FILTRATION – BIOFALLS®

DIAGRAM #	ITEM #	PRODUCT NAME	WEIGHT
SIGNATURE SERIES 2500 AND 6000 BIOFALLS® FILTERS - ITEM #09020, #29319, #29384			
①	29283	Signature Series 2500 BioFalls® Filter Rock Tray	3.1
②	29010	Signature Series 2500 BioFalls® Filter Mat (qty 1)	0.9
③	29281	Signature Series 2500 BioFalls® Filter Support Rack	1.4
④	29220	Signature Series 2500 BioFalls® Filter Lip	1.05
⑤	30078	Brass Screw Set (8-pack) - 2 sets required for full screw replacement	0.1
⑥	29282	Signature Series 2500 BioFalls® Filter Waterfall Stone	1.9
⑦	29103	Black Poly Bulkhead Fitting 2"	0.45
⑦	29104	Black Poly Bulkhead Fitting 3" (Signature Series 6000 BioFalls® Filter Only)	1.0
①	29316	Signature Series 6000 BioFalls® Filter Rock Tray	10.0
②	29318	Signature Series 6000 BioFalls® Filter Mat	1.5
③	29317	Signature Series 6000 BioFalls® Filter Support Rack	3.0
④	29324	Signature Series 6000 BioFalls® Filter Lip	1.4



FILTRATION – POND WATERFALL FILTER

DIAGRAM #	ITEM #	PRODUCT NAME	WEIGHT
POND WATERFALL FILTER - ITEM #77020			
①	80006	<i>Pond Waterfall Filter Replacement Filter Mat</i>	0.25
②	77021	<i>Pond Waterfall Filter Replacement Filter Rack</i>	0.5
	80007	<i>Pond Waterfall Filter Replacement Filter Media Net</i>	0.25
③	77022	<i>Pond Waterfall Filter Replacement Fitting Kit</i>	0.25



FILTRATION – ULTRAKLEAR®

DIAGRAM #	ITEM #	PRODUCT NAME	WEIGHT
ULTRAKLEAR® UV CLARIFIERS - ITEM #95036, #95037, #95038			
①	95039	<i>UltraKlear® 1000 14-Watt High-Output Replacement UV Bulb</i>	0.25
②	95045	<i>UltraKlear® 1000 14-Watt UV Quartz Sleeve</i>	0.25
③	95042	<i>UltraKlear® 1000 14-Watt UV Corkscrew Sleeve</i>	0.25
④	95048	<i>UltraKlear® 1000 14-Watt Ballast Kit</i>	2.5
①	95040	<i>UltraKlear® 2500 28-Watt High-Output Replacement UV Bulb</i>	0.5
②	95046	<i>UltraKlear® 2500 28-Watt UV Quartz Sleeve</i>	0.5
③	95043	<i>UltraKlear® 2500 28-Watt UV Corkscrew Sleeve</i>	0.5
④	95049	<i>UltraKlear® 2500 28-Watt Ballast Kit</i>	2.5
①	95041	<i>UltraKlear® 5000 55-Watt High Output Replacement UV Bulb</i>	0.75
②	95047	<i>UltraKlear® 5000 55-Watt UV Quartz Sleeve</i>	0.75
③	95044	<i>UltraKlear® 5000 55-Watt UV Corkscrew Sleeve</i>	0.75
④	95050	<i>UltraKlear® 5000 55-Watt Ballast Kit</i>	2.5
	95052	<i>UltraKlear® UV Clarifier Fittings Kit (fits 14W, 28W, 55W)</i>	2.5
	95051	<i>UltraKlear® UV Clarifier Gasket Kit (fits 14W, 28W, 55W)</i>	0.5

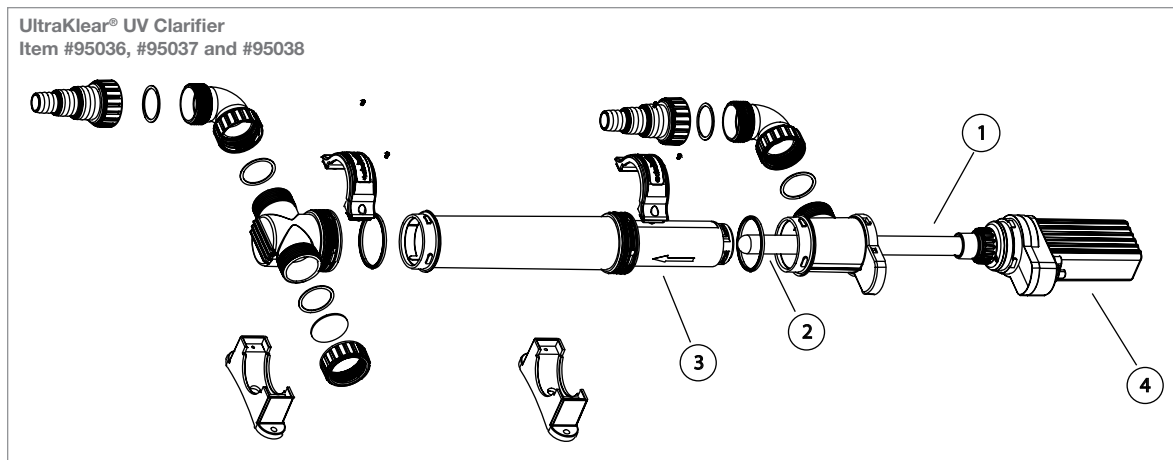


DIAGRAM #	ITEM #	PRODUCT NAME	WEIGHT
ULTRAKLEAN™ POND FILTERS - ITEM #95053, #95054			
①	95030	<i>UltraKlean™ 2000 Pond Filter 14-Watt High-Output Replacement UV Bulb</i>	0.25
②	95078	<i>UltraKlean™ 2000 Pond Filter Quartz Sleeve (G2)</i>	0.25
③	95056	<i>UltraKlean™ 2000 Pond Filter Electronic Control Board and Ballast Kit (G2)</i>	4.0
①	95031	<i>UltraKlean™ 3500 Pond Filter 28-Watt High-Output Replacement UV Bulb</i>	0.5
②	95079	<i>UltraKlean™ 3500 Pond Filter Quartz Sleeve (G2)</i>	0.5
③	95057	<i>UltraKlean™ 3500 Pond Filter Electronic Control Board and Ballast Kit (G2)</i>	0.5
	95080	<i>UltraKlean™ 2000/3500 Pond Filter O-Ring Kit</i>	0.25
④	95081	<i>UltraKlean™ 2000 Pond Filter Canister Kit (G2)</i>	4.0
④	95082	<i>UltraKlean™ 3500 Pond Filter Canister Kit (G2)</i>	4.75
⑤	95055	<i>UltraKlean™ BioBalls (qty 250)</i>	1.5
⑥	95102	<i>UltraKlean™ 2000/3500 Pond Filter Replacement Clip Kit</i>	0.2
⑦	95103	<i>UltraKlean™ 2000/3500 Pond Filter Replacement Valve Kit</i>	0.6
⑧	95104	<i>UltraKlean™ 2000 Pond Filter Upgrade Kit - Includes Clip Kit, Ballast, and Valve Kit</i>	4.5
⑧	95105	<i>UltraKlean™ 3500 Pond Filter Upgrade Kit - Includes Clip Kit, Ballast, and Valve Kit</i>	4.5
⑨	95083	<i>UltraKlean™ 2000/3500 Pond Filter Replacement Fitting Kit</i>	0.5
⑩	88040	<i>UltraKlean™ 2000/3500 Pond Filter Discharge Shutoff Valve Kit</i>	0.9

FILTRATION – ULTRAKLEAN™

UltraKlean™ Pond Filters
Item #95053 and #95054

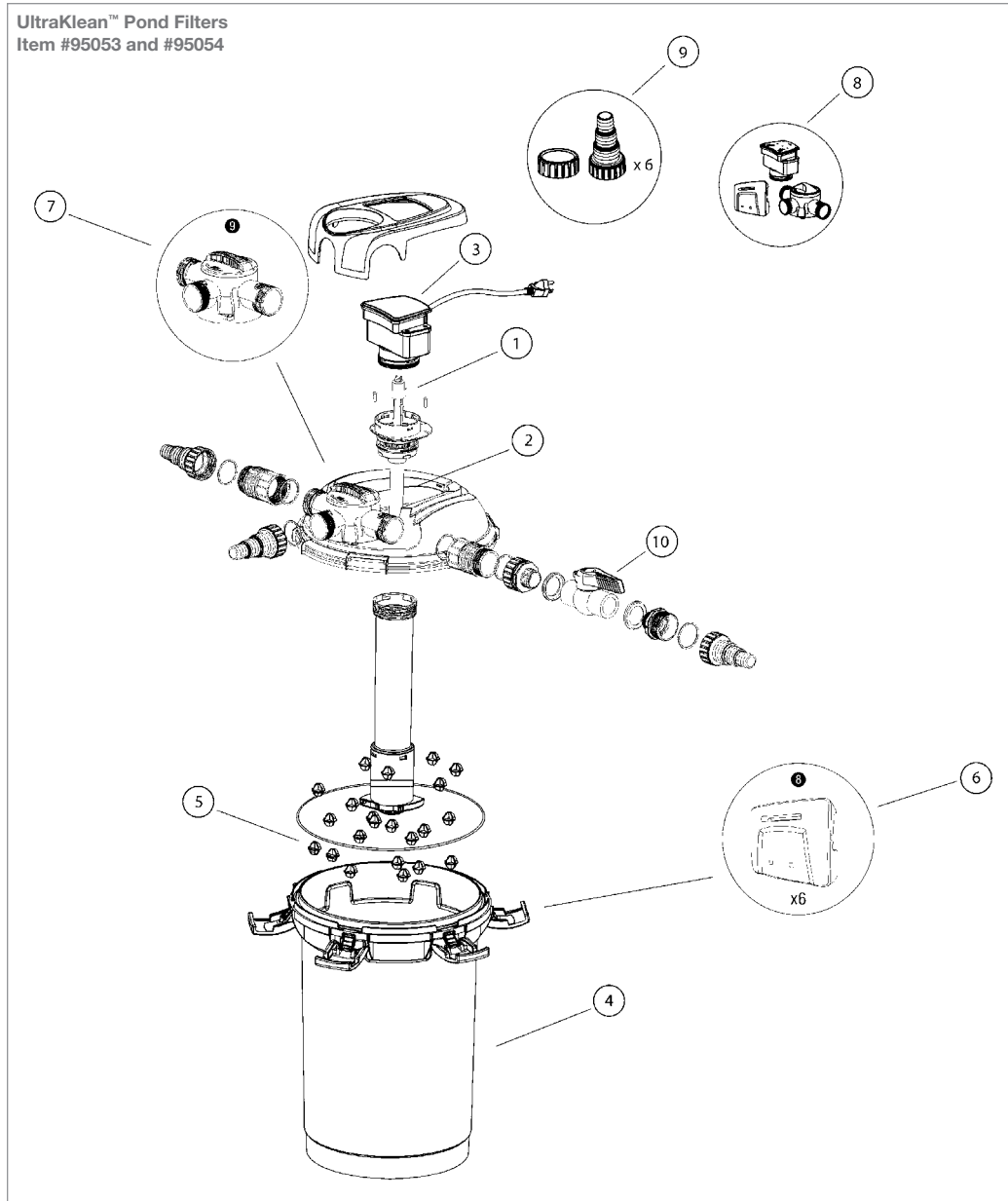
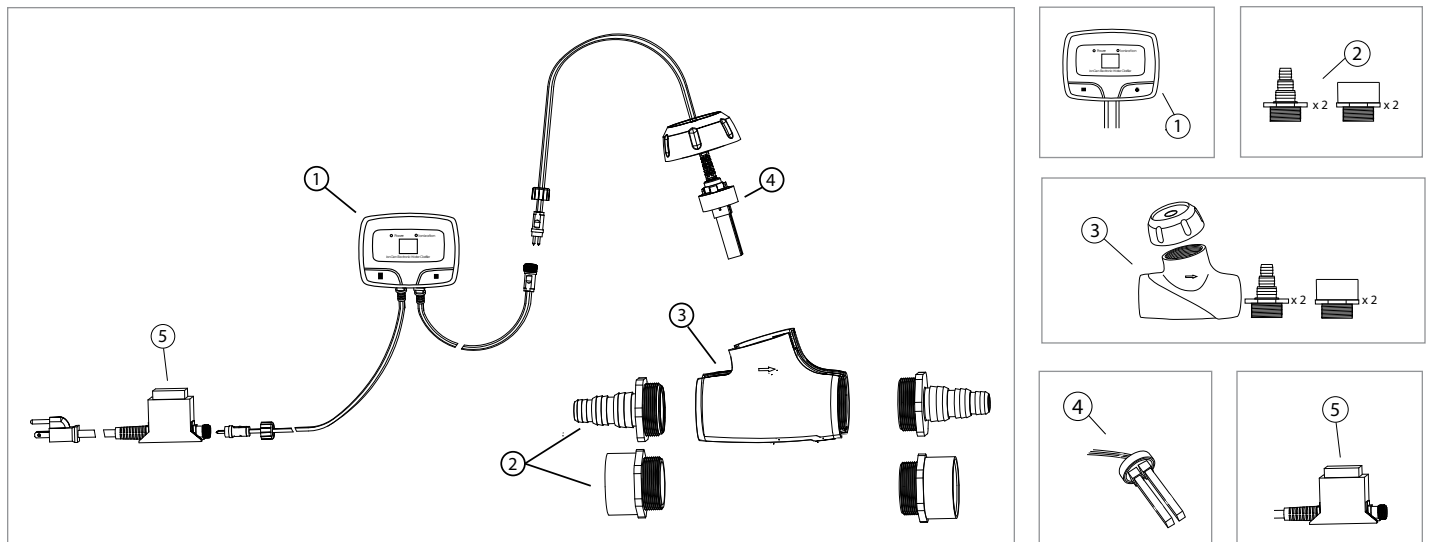


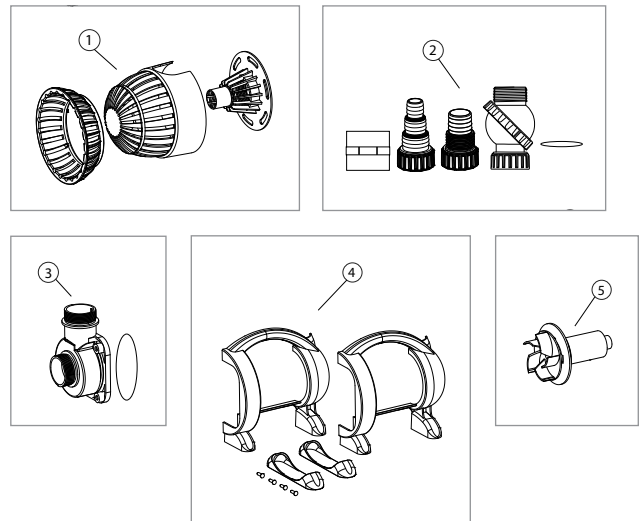
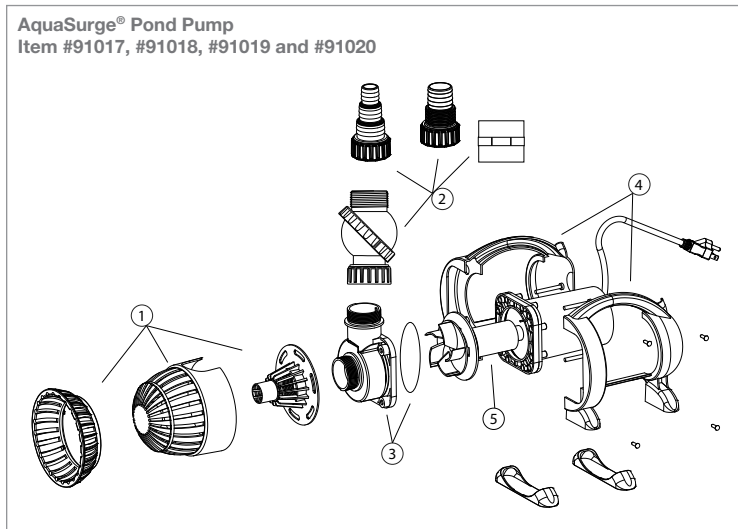
DIAGRAM #	ITEM #	PRODUCT NAME	WEIGHT
IONGEN™ G2 SYSTEM - ITEM #95027			
①	95017	<i>IonGen™ (G2) Control Panel with 12-Volt Transformer</i>	1.0
②	95032	<i>IonGen™ (G2) Replacement Fitting Kit</i>	0.6
③	95015	<i>IonGen™ (G2) Flow Chamber Kit</i>	1.4
④	95016	<i>IonGen™ Probe for G2 System Canada</i>	0.5
④	95028	<i>IonGen™ Probe for G2 System (EPA Registered)</i>	0.5
⑤	98375	<i>Garden and Pond 6-Watt 12V Quick-Connect Transformer</i>	0.5
	98998	<i>Garden and Pond 25' Quick-Connect Lighting Extension Cable</i>	0.75
	96019	<i>KH/Alkalinity Test Kit (60 tests)</i>	0.2
	96020	<i>CU/Copper Test Kit (25 tests)</i>	0.2
	95077	<i>IonGen™ G2 Probe Holder</i>	0.5



ITEM #	PRODUCT NAME	WEIGHT
IONGEN™ G1 SYSTEM - ITEM #98880		
30120	<i>IonGen™ (G1) 2" Replacement PVC Flow Chamber</i>	0.15
98881	<i>IonGen™ Probe for G1 System Canada</i>	0.85
95074	<i>IonGen™ Probe for G1 System (EPA Registered)</i>	0.85
98375	<i>Garden and Pond 6-Watt 12V Quick-Connect Transformer</i>	0.5
96019	<i>KH/Alkalinity Test Kit (60 tests)</i>	0.2
96020	<i>CU/Copper Test Kit (25 tests)</i>	0.2

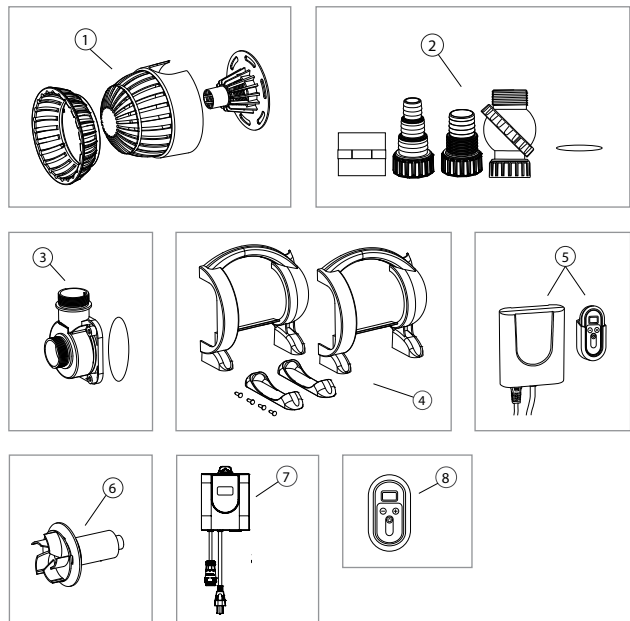
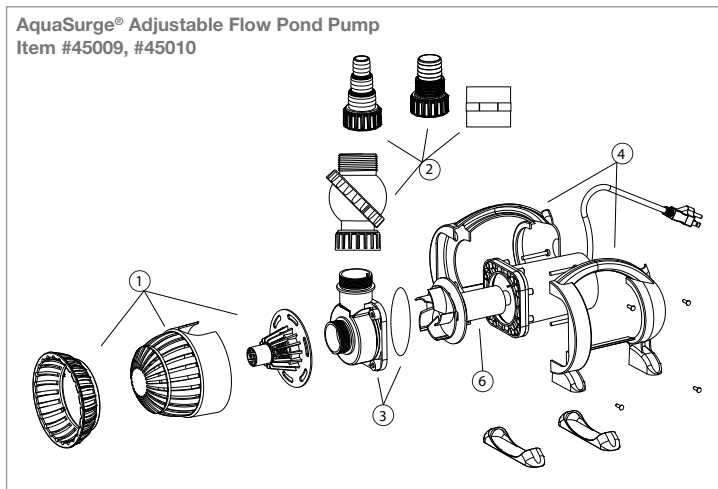
PUMPS

DIAGRAM #	ITEM #	PRODUCT NAME	WEIGHT
AQUASURGE® 2000 AND 3000 POND PUMPS - ITEM #91017, #91018 YEAR 2012-PRESENT			
①	91063	<i>AquaSurge® 2000/3000 (G2) Intake Screen Kit</i>	0.5
②	91065	<i>AquaSurge® (G2) Discharge Fitting Kit</i>	0.5
③	91066	<i>AquaSurge® 2000/3000 (G2) Water Chamber Cover and O-Ring Kit</i>	0.3
④	91068	<i>AquaSurge® 2000/3000 (G2) Pump Handle and Feet Kit</i>	0.5
⑤	91070	<i>AquaSurge® 2000 (G2) Replacement Impeller Kit</i>	0.75
⑤	91071	<i>AquaSurge® 3000 (G2) Replacement Impeller Kit</i>	0.8
AQUASURGE® 4000 AND 5000 POND PUMPS - ITEM #91019, #91020 YEAR 2012-PRESENT			
①	91064	<i>AquaSurge® 4000/5000 (G2) Intake Screen Kit</i>	0.4
②	91065	<i>AquaSurge® (G2) Discharge Fitting Kit</i>	0.5
③	91067	<i>AquaSurge® 4000/5000 (G2) Water Chamber Cover and O-Ring Kit</i>	0.3
④	91069	<i>AquaSurge® 4000/5000 (G2) Pump Handle and Feet Kit</i>	0.5
⑤	91072	<i>AquaSurge® 4000 (G2) Replacement Impeller Kit</i>	1.3
⑤	91073	<i>AquaSurge® 5000 (G2) Replacement Impeller Kit</i>	1.7



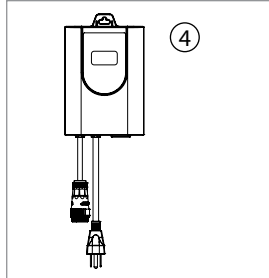
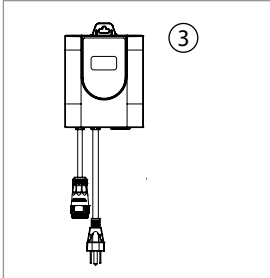
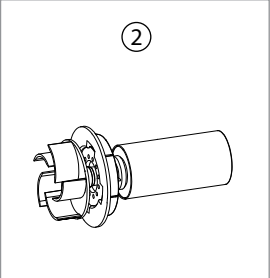
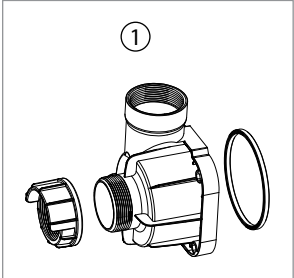
PUMPS – AQUASURGE® ADJUSTABLE FLOW

DIAGRAM #	ITEM #	PRODUCT NAME	WEIGHT
AQUASURGE® 2000-4000 ADJUSTABLE FLOW POND PUMP - ITEM #45009			
①	91064	<i>AquaSurge® 4000/5000 (G2) Intake Screen Kit</i>	0.4
②	91065	<i>AquaSurge® (G2) Discharge Fitting Kit</i>	0.5
③	91067	<i>AquaSurge® 4000/5000 (G2) Water Chamber Cover and O-Ring Kit</i>	0.3
④	91069	<i>AquaSurge® 4000/5000 (G2) Pump Handle and Feet Kit</i>	0.5
⑤	45029	<i>Adjustable Flow Pump Remote and Receiver Kit (G2)</i>	0.75
⑥	45016	<i>AquaSurge® 2000-4000 Adjustable Flow Replacement Impeller Kit</i>	1.3
⑦	45038	<i>Smart Control Receiver with conversion plug</i>	1.25
⑧	45041	<i>Universal Remote for Adjustable Flow Pond Pumps</i>	0.5
AQUASURGE® 4000-8000 ADJUSTABLE FLOW POND PUMP - ITEM #45010			
①	45011	<i>AquaSurge® 4000-8000 Adjustable Flow Intake Screen Kit</i>	0.4
②	91065	<i>AquaSurge® (G2) Discharge Fitting Kit</i>	0.5
③	45014	<i>AquaSurge® 4000-8000 Adjustable Flow Water Chamber Cover and O-Ring Kit</i>	0.3
④	45012	<i>AquaSurge® 4000-8000 Adjustable Flow Pump Handle and Feet Kit</i>	0.5
⑤	45029	<i>Adjustable Flow Pump Remote and Receiver Kit (G2)</i>	0.75
⑥	45017	<i>AquaSurge® 4000-8000 Adjustable Flow Replacement Impeller Kit</i>	1.8
⑦	45038	<i>Smart Control Receiver with conversion plug</i>	1.25
⑧	45041	<i>Universal Remote for Adjustable Flow Pond Pumps</i>	0.5



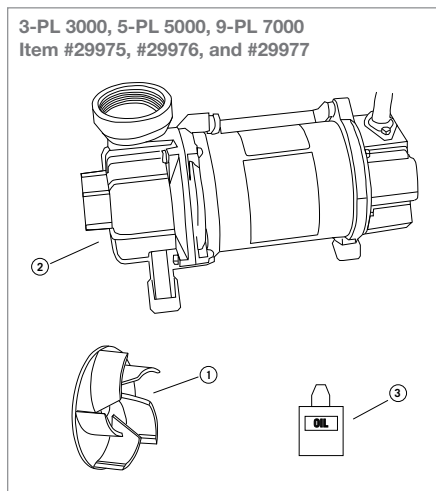
PUMPS – SLD ADJUSTABLE FLOW

DIAGRAM #	ITEM #	PRODUCT NAME	WEIGHT
SLD ADJUSTABLE FLOW POND PUMPS - ITEM #45036, #45037			
①	45042	<i>Water Chamber for SLD Pumps</i>	0.82
②	45044	<i>Replacement Impeller w/Gasket for SLD 4000-7000</i>	2.2
②	45045	<i>Replacement Impeller w/Gasket for SLD 5000-9000</i>	2.2
③	45038	<i>Smart Control Receiver with conversion plug</i>	1.25
④	45039	<i>Smart Control Receiver Large for SLD 5000-9000</i>	1.5
⑤	45041	<i>Universal Remote for Adjustable Flow Pond Pumps</i>	0.5



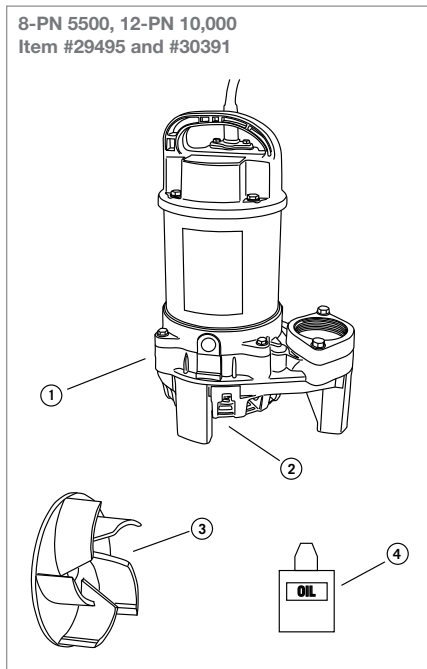
PUMPS – PL SOLIDS-HANDLING

DIAGRAM #	ITEM #	PRODUCT NAME	WEIGHT
PL SOLIDS-HANDLING POND PUMPS - ITEM #29975, #29976, #29977			
①	30320	<i>3-PL 3000 Replacement Impeller</i>	0.5
①	30321	<i>5-PL 5000 Replacement Impeller</i>	0.5
①	30322	<i>9-PL 7000 Replacement Impeller</i>	0.5
②	30323	<i>3-PL 3000 Replacement Casing</i>	2.0
②	30324	<i>5-PL 5000/9-PL 7000 Replacement Casing</i>	2.0
③	30212	<i>3-PL 3000/2-PU Replacement Oil</i>	0.5
③	30213	<i>5-PL 5000/9-PL 7000/8-PN 5500/12-PN 10,000 Replacement Oil</i>	0.5



PUMPS – PN SOLIDS-HANDLING

DIAGRAM #	ITEM #	PRODUCT NAME	WEIGHT
PN SOLIDS-HANDLING POND PUMPS - ITEM #29495, #30391			
①	29740	3-PN/4-PN/8-PN 5500 Tsurumi Replacement Casing	0.5
②	29744	3-PN/4-PN/8-PN 5500 Tsurumi Replacement Strainer	0.5
③	29749	8-PN 5500 Replacement Impeller	0.5
③	30422	12-PN 10,000 Replacement Impeller	0.5
④	30213	5-PL 5000/9-PL 7000/8-PN 5500/12-PN 10,000 Replacement Oil	0.5



PUMPS – AQUASCAPEPRO®

DIAGRAM #	ITEM #	PRODUCT NAME	WEIGHT
AQUASCAPEPRO® POND PUMPS - ITEM #20002, #20003, #20004, 20006			
①	29228	<i>AquascapePRO® 1500 Replacement Impeller</i>	0.5
①	29229	<i>AquascapePRO® 3000 Replacement Impeller</i>	0.5
①	29230	<i>AquascapePRO® 4500 Replacement Impeller</i>	0.5
①	29231	<i>AquascapePRO® 7500 Replacement Impeller</i>	0.5
①	29232	<i>AquascapePRO® 10000 Replacement Impeller</i>	4.0

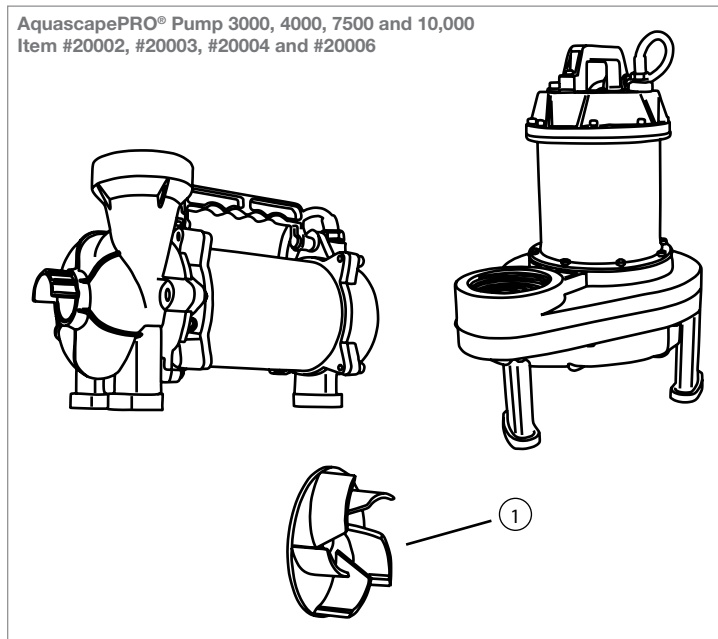
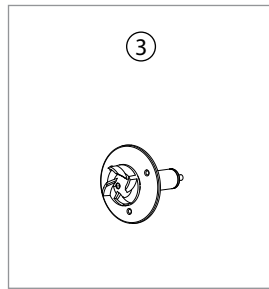
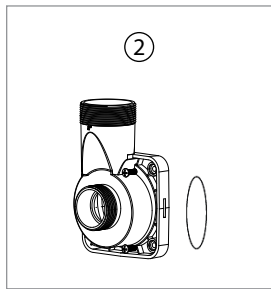
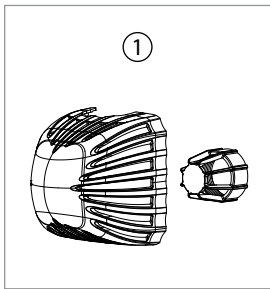
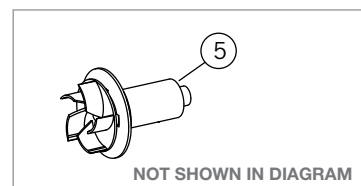
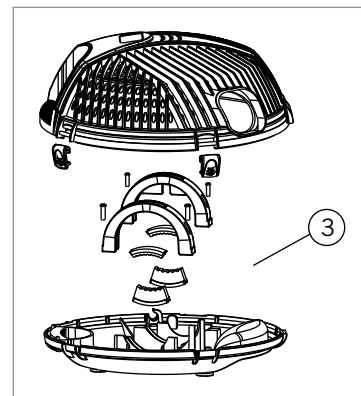
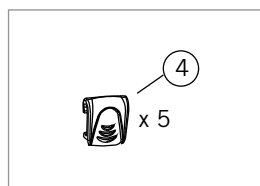
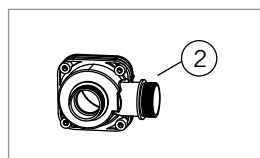
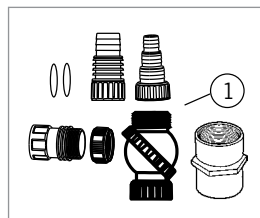
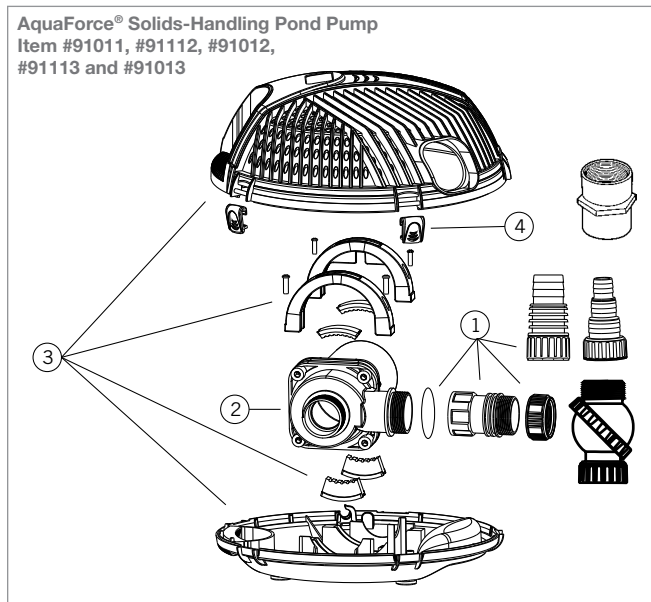


DIAGRAM #	ITEM #	PRODUCT NAME	WEIGHT
ECOWAVE® 2000, 3000, 4000 AND 5000 POND PUMPS - ITEM #91131, #91132, #91133, #91134			
①	91136	<i>EcoWave® 2000/3000 Replacement Intake Screen</i>	0.81
①	91149	<i>EcoWave® 4000/5000 Replacement Intake Screen</i>	0.81
②	91137	<i>EcoWave® 2000/3000 Replacement Water Chamber Cover and O-Ring</i>	0.62
②	91150	<i>EcoWave® 4000 Replacement Water Chamber Cover and O-Ring</i>	0.75
②	91154	<i>EcoWave® 5000 Replacement Water Chamber Cover and O-Ring</i>	0.75
③	91138	<i>EcoWave® 2000 Replacement Impeller Kit</i>	0.66
④	91139	<i>EcoWave® 3000 Replacement Impeller Kit</i>	0.68
⑤	91140	<i>EcoWave® 4000 Replacement Impeller Kit</i>	0.70
⑥	91141	<i>EcoWave® 5000 Replacement Impeller Kit</i>	0.73



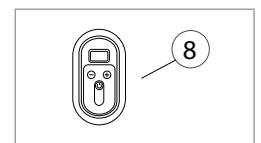
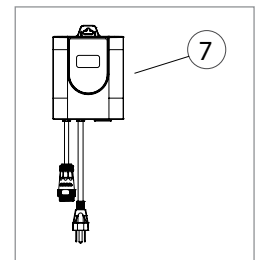
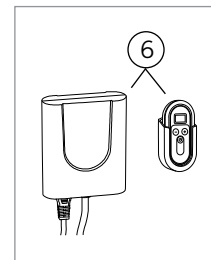
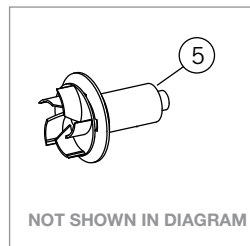
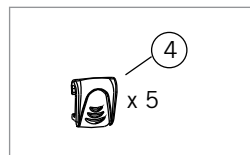
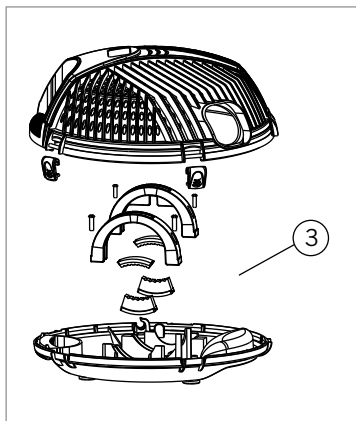
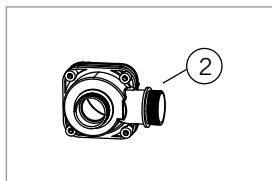
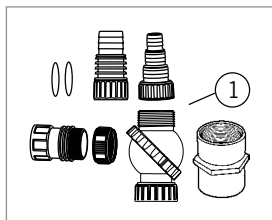
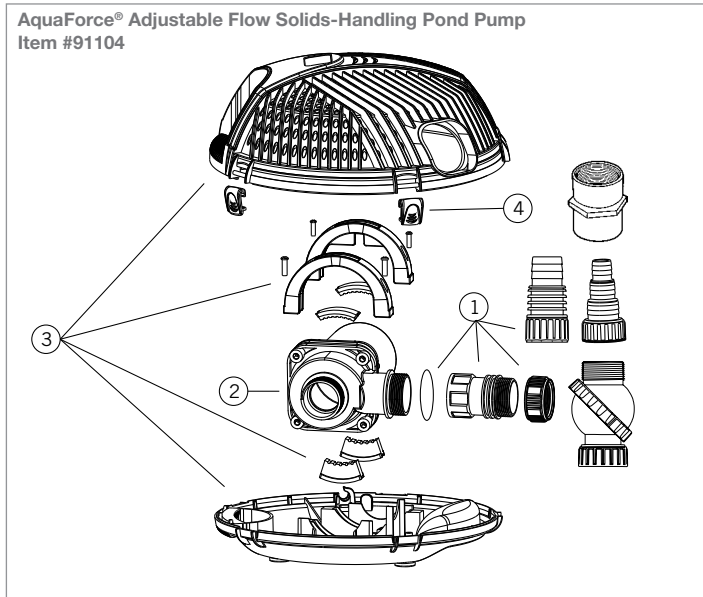
PUMPS - AQUAFORCE®

DIAGRAM #	ITEM #	PRODUCT NAME	WEIGHT
AQUAFORCE® SOLIDS-HANDLING POND PUMPS - ITEM #91011, #91112, #91012, #91113, #91013 YEAR 2012-PRESENT			
①	91075	AquaForce® (G2) Replacement Cage Discharge Fitting Kit	0.5
②	91076	AquaForce® 1000/2700 (G2) Replacement Water Chamber Cover	0.3
②	91077	AquaForce® 5200 (G2) Replacement Water Chamber Cover	0.4
③	91078	AquaForce® 1000/1800/2700 (G2) Replacement Pump Cage Kit	2.65
③	91096	AquaForce® 3600/5200 (G2) / Adjustable Flow 4000-8000 Replacement Pump Cage Kit	2.65
④	91079	AquaForce® (G2) Replacement Cage Clip Kit	0.1
⑤	91080	AquaForce® 1000 (G2) Replacement Impeller Kit	0.6
⑤	91115	AquaForce® 1800 (G2) Replacement Impeller Kit	0.8
⑤	91081	AquaForce® 2700 (G2) Replacement Impeller Kit	0.8
⑤	91116	AquaForce® 3600 (G2) Replacement Impeller Kit	0.8
⑤	91082	AquaForce® 5200 (G2) Replacement Impeller Kit	1.6



PUMPS – AQUAFORCE® ADJUSTABLE FLOW

DIAGRAM #	ITEM #	PRODUCT NAME	WEIGHT
AQUAFORCE® ADJUSTABLE FLOW SOLIDS-HANDLING POND PUMP - ITEM #91104 YEAR 2013-PRESENT			
①	91075	<i>AquaForce® (G2) Replacement Pump Discharge Fitting Kit</i>	0.5
②	91077	<i>AquaForce® 5200 (G2) Replacement Water Chamber Cover</i>	0.4
③	91096	<i>AquaForce® 3600/5200 (G2) / Adjustable Flow 4000/8000 (G2) Replacement Pump Cage Kit</i>	2.65
④	91079	<i>AquaForce® (G2) Replacement Cage Clip Kit</i>	0.1
⑤	91101	<i>AquaForce® Adjustable Flow Replacement Impeller Kit</i>	1.8
⑥	45029	<i>Adjustable Flow Pump Remote and Receiver Kit (G2)</i>	0.75
⑦	45038	<i>Smart Control Receiver with conversion plug</i>	1.25
⑧	45041	<i>Universal Remote for Adjustable Flow Pond Pumps</i>	0.5



PUMPS – AQUAJET®

DIAGRAM #	ITEM #	PRODUCT NAME	WEIGHT
AQUAJET® 600 POND PUMP (G2) - ITEM #91014 YEAR 2012-PRESENT			
①	91084	<i>AquaJet® 600 (G2) Replacement Fountain Kit</i>	0.5
②	91087	<i>AquaJet® 600 (G2) Pump Housing Cover Kit</i>	1.5
③	91088	<i>AquaJet® 600 (G2) Water Chamber Cover Kit</i>	0.1
④	91091	<i>AquaJet® 600 (G2) Pump Mount Kit</i>	0.1
⑤	91047	<i>AquaJet® 600 (G2) Replacement Impeller Kit</i>	0.1

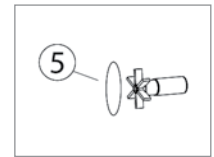
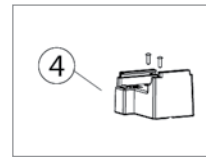
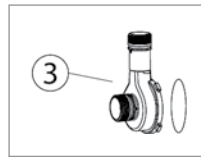
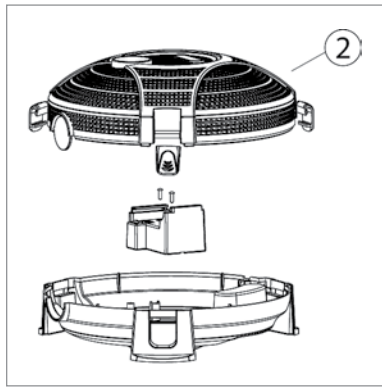
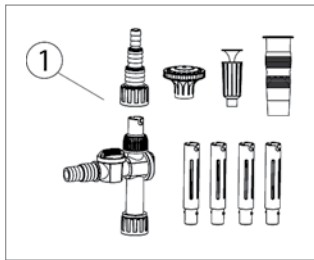


DIAGRAM #	ITEM #	PRODUCT NAME	WEIGHT
AQUAJET® 1300 POND PUMP (G2) - ITEM #91015 YEAR 2012-PRESENT			
①	91085	<i>AquaJet® 1300 (G2) Replacement Fountain Kit</i>	0.65
②	91094	<i>AquaJet® 1300 (G2) Pump Housing Cover Kit</i>	1.5
③	91089	<i>AquaJet® 1300 (G2) Water Chamber Cover Kit</i>	0.1
④	91092	<i>AquaJet® 1300 (G2) Pump Mount Kit</i>	0.1
⑤	91048	<i>AquaJet® 1300 (G2) Replacement Impeller Kit</i>	0.25

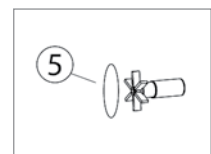
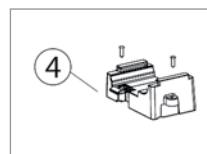
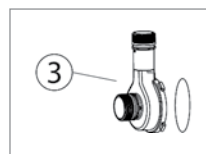
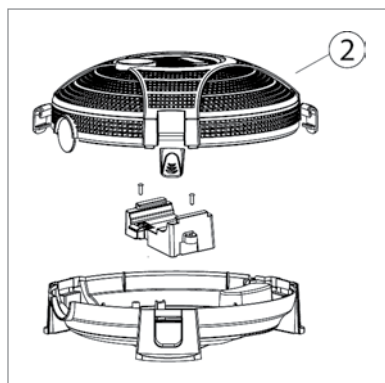
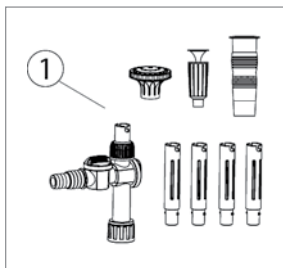
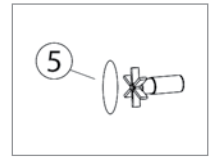
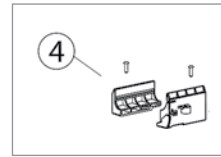
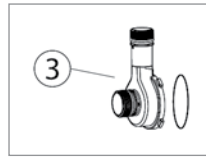
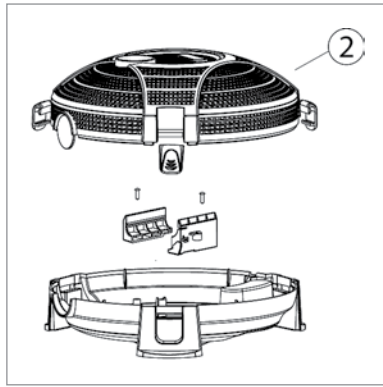
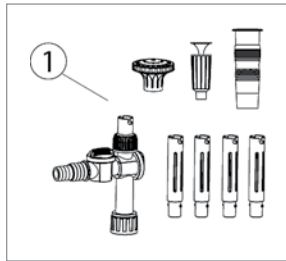


DIAGRAM #	ITEM #	PRODUCT NAME	WEIGHT
AQUAJET® 2000 POND PUMP (G2) - ITEM #91016 YEAR 2012-PRESENT			
①	91086	<i>AquaJet® 2000 (G2) Replacement Fountain Kit</i>	0.7
②	91095	<i>AquaJet® 2000 (G2) Pump Housing Cover Kit</i>	1.4
③	91090	<i>AquaJet® 2000 (G2) Water Chamber Cover Kit</i>	0.1
④	91093	<i>AquaJet® 2000 (G2) Pump Mount Kit</i>	0.1
⑤	91049	<i>AquaJet® 2000 (G2) Replacement Impeller Kit</i>	0.3



PUMPS – POND POWERHEAD

DIAGRAM #	ITEM #	PRODUCT NAME	WEIGHT
POND POWERHEAD FRONT CAGE KIT - ITEM #91142			
①	91145	<i>Pond Powerhead Replacement Propeller Kit</i>	0.5
②	91146	<i>Pond Powerhead Replacement Cage Kit</i>	1.0

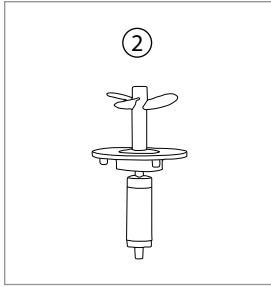
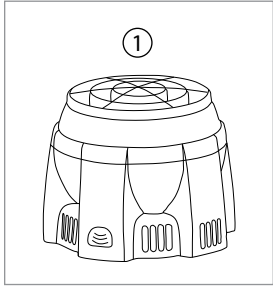
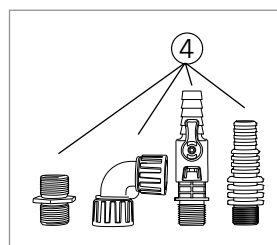
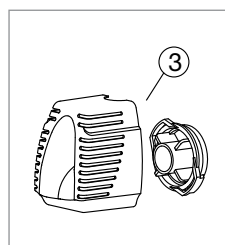
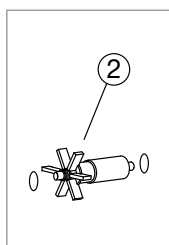
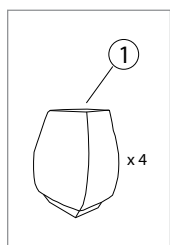
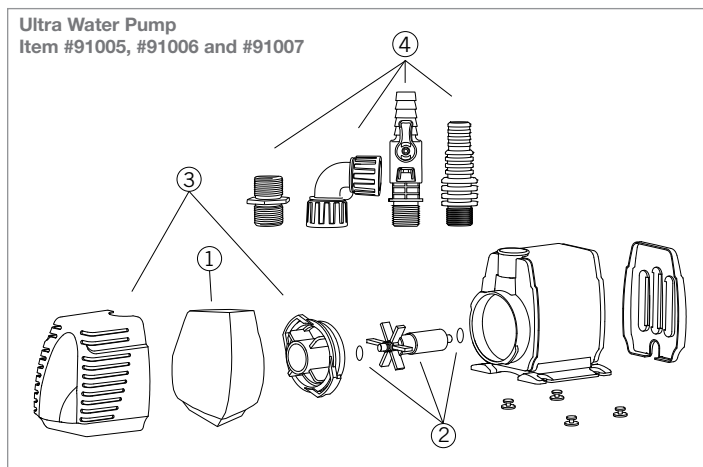


DIAGRAM #	ITEM #	PRODUCT NAME	WEIGHT
ULTRA 400, 550 AND 800 WATER PUMPS - ITEM #91005, #91006, #91007 YEAR 2012-PRESENT			
①	91033	<i>Ultra 400 Water Pump (G3) Replacement Filter Sponge</i>	0.1
①	91034	<i>Ultra 550 Water Pump (G3) Replacement Filter Sponge</i>	0.1
①	91035	<i>Ultra 800 Water Pump (G3) Replacement Filter Sponge</i>	0.1
②	91039	<i>Ultra 400 Water Pump (G3) Replacement Impeller Kit</i>	0.1
②	91040	<i>Ultra 550 Water Pump (G3) Replacement Impeller Kit</i>	0.1
②	91041	<i>Ultra 800 Water Pump (G3) Replacement Impeller Kit</i>	0.1
③	91050	<i>Ultra 400 Water Pump (G3) Replacement Front Cover Kit</i>	0.1
③	91051	<i>Ultra 550/800 Water Pump (G3) Replacement Front Cover Kit</i>	0.1
④	91055	<i>Ultra 400/550/800 Water Pump (G3) Replacement Discharge Fittings Kit 1/2"</i>	0.2
	91045	<i>Small Ultra Pump Fountain Head Kit</i>	0.5



PUMPS – ULTRA

DIAGRAM #	ITEM #	PRODUCT NAME	WEIGHT
ULTRA 1100, 1500 AND 2000 WATER PUMPS - ITEM #91008, #91009, #91010 YEAR 2012-PRESENT			
①	91036	<i>Ultra 1100 Water Pump Replacement Filter Sponge</i>	0.1
①	91037	<i>Ultra 1500 Water Pump Replacement Filter Sponge</i>	0.1
①	91038	<i>Ultra 2000 Water Pump Replacement Filter Sponge</i>	0.1
②	91042	<i>Ultra 1100 Water Pump Replacement Impeller Kit</i>	0.3
②	91043	<i>Ultra 1500 Water Pump Replacement Impeller Kit</i>	0.3
②	91044	<i>Ultra 2000 Water Pump Replacement Impeller Kit</i>	0.3
③	91052	<i>Ultra 1100 Water Pump Front Cover Kit</i>	0.3
③	91053	<i>Ultra 1500/2000 Water Pump Front Cover Kit</i>	0.3
④	91057	<i>Ultra 1100/1500/2000 Water Pump Replacement Discharge Fitting Kit 3/4"</i>	0.2
	91046	<i>Large Ultra Pump Fountain Head Kit</i>	0.5

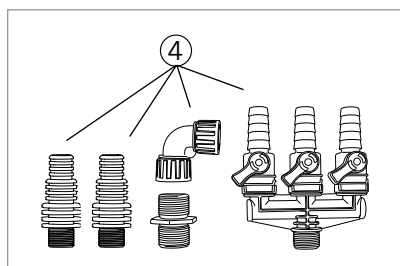
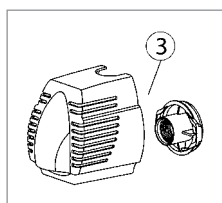
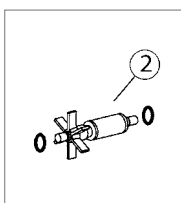
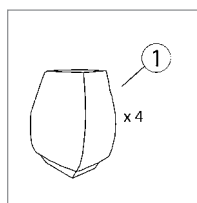
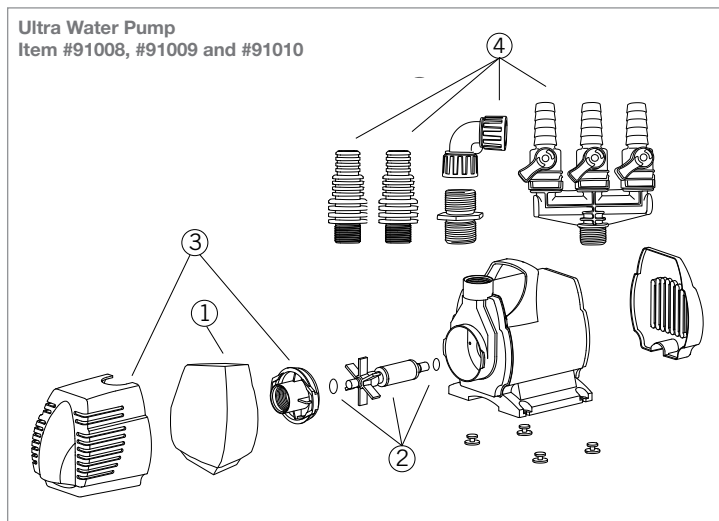


DIAGRAM #	ITEM #	PRODUCT NAME	WEIGHT
70 GPH WATER PUMP - ITEM #91023 YEAR 2012-PRESENT			
①	91028	<i>70 GPH Replacement Impeller Kit</i>	0.1
②	91097	<i>70 GPH Replacement Filter Screen and Fitting Kit</i>	0.1

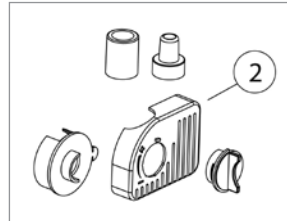
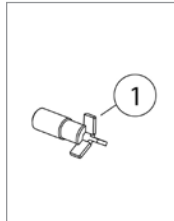
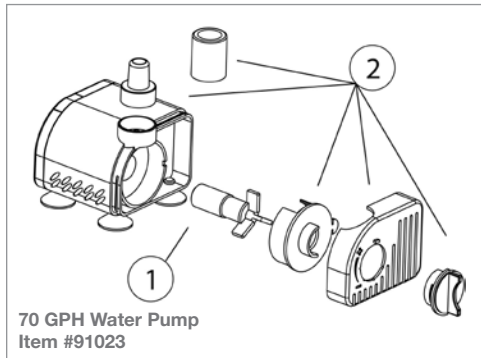
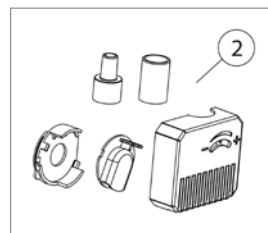
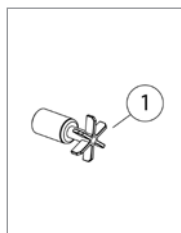
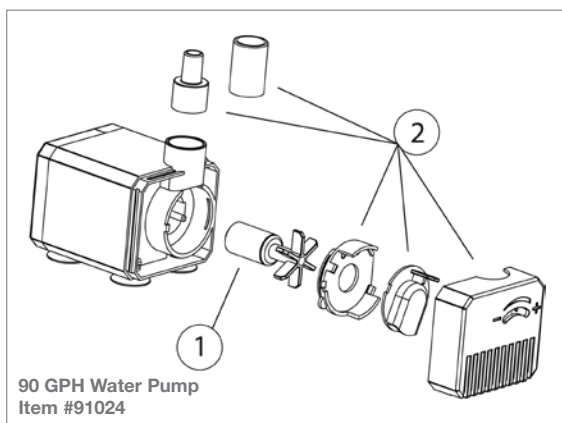


DIAGRAM #	ITEM #	PRODUCT NAME	WEIGHT
90 GPH WATER PUMP - ITEM #91024 YEAR 2012-PRESENT			
①	91029	<i>90 GPH Replacement Impeller Kit</i>	0.1
②	91098	<i>90 GPH Replacement Filter Screen and Fitting Kit</i>	0.1



PUMPS – STATUARY

DIAGRAM #	ITEM #	PRODUCT NAME	WEIGHT
180 GPH WATER PUMP - ITEM #91025 YEAR 2012-PRESENT			
①	91030	<i>180 GPH Replacement Impeller Kit</i>	0.2
②	91099	<i>180 GPH Replacement Filter Screen and Fitting Kit</i>	0.1

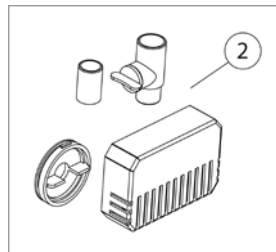
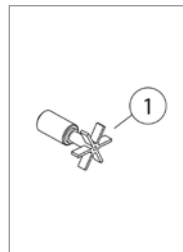
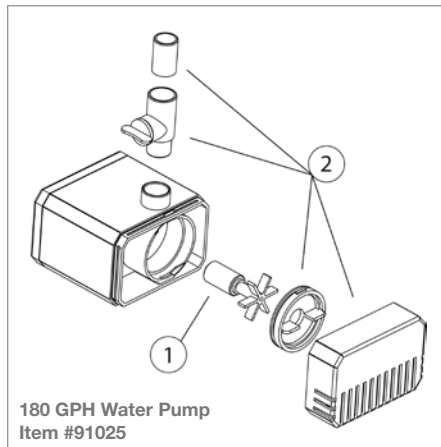
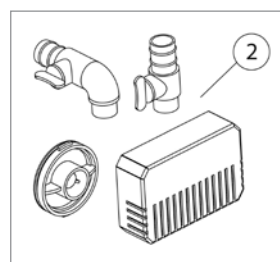
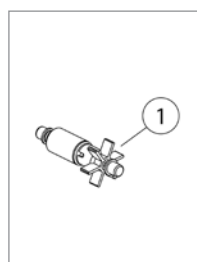
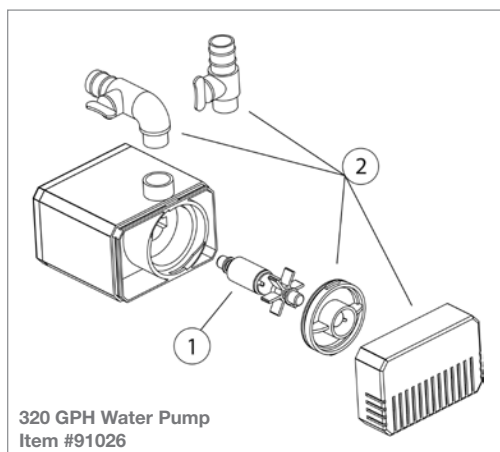


DIAGRAM #	ITEM #	PRODUCT NAME	WEIGHT
320 GPH WATER PUMP - ITEM #91026 YEAR 2012-PRESENT			
①	91031	<i>320 GPH Replacement Impeller Kit</i>	0.2
②	91100	<i>320 GPH Replacement Filter Screen and Fitting Kit</i>	0.1



AERATION

AERATION – 2 AND 4 OUTLET

DIAGRAM #	ITEM #	PRODUCT NAME	WEIGHT
2-OUTLET POND AERATION KIT - ITEM #75000			
①	75003	<i>2-Outlet Pond Aerator Replacement Cartridge and Renew Kit</i>	0.2
②	75002	<i>Pond Aerator Replacement Airline and Check Valve</i>	0.6
③	75005	<i>Pond Aerator Aeration Disc (qty 1)</i>	0.3

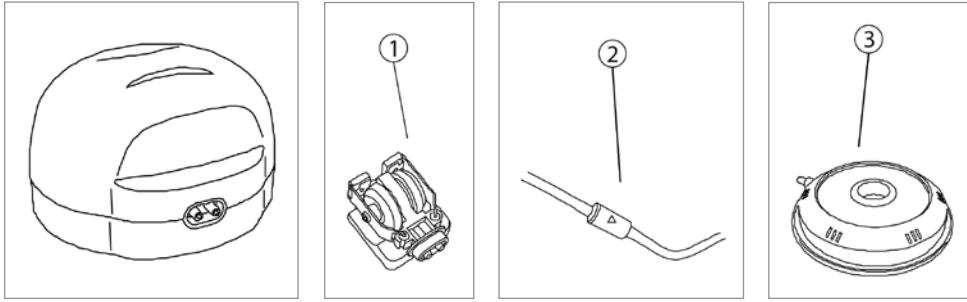
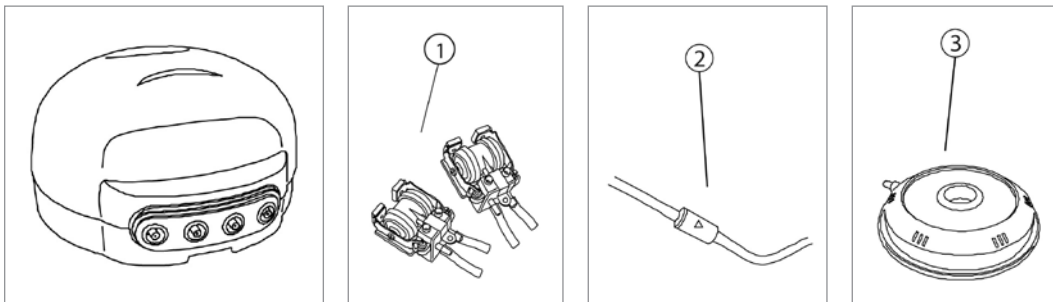
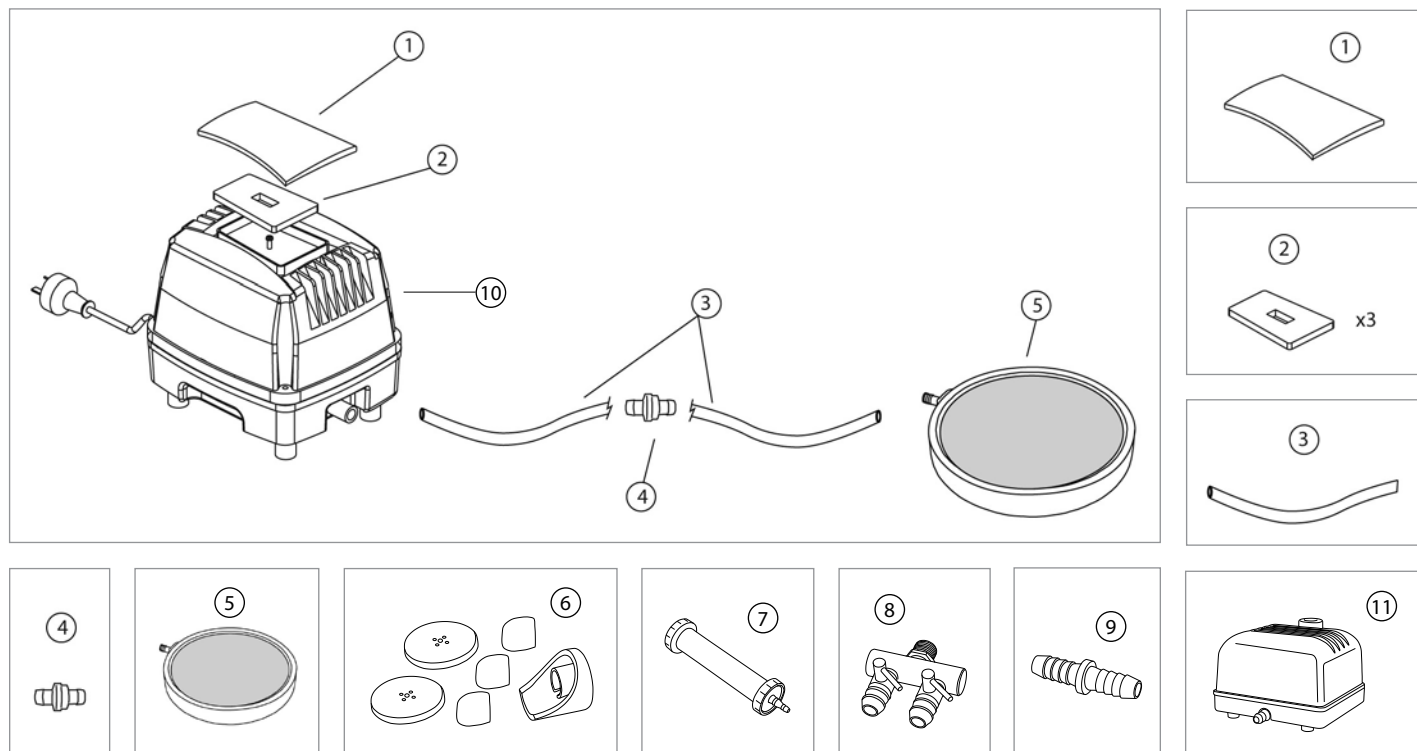


DIAGRAM #	ITEM #	PRODUCT NAME	WEIGHT
4-OUTLET POND AERATION KIT - ITEM #75001			
①	75004	<i>4-Outlet Pond Aerator Replacement Cartridge and Renew Kit</i>	0.4
②	75002	<i>Pond Aerator Replacement Airline and Check Valve</i>	0.6
③	75005	<i>Pond Aerator Aeration Disc (qty 1)</i>	0.3



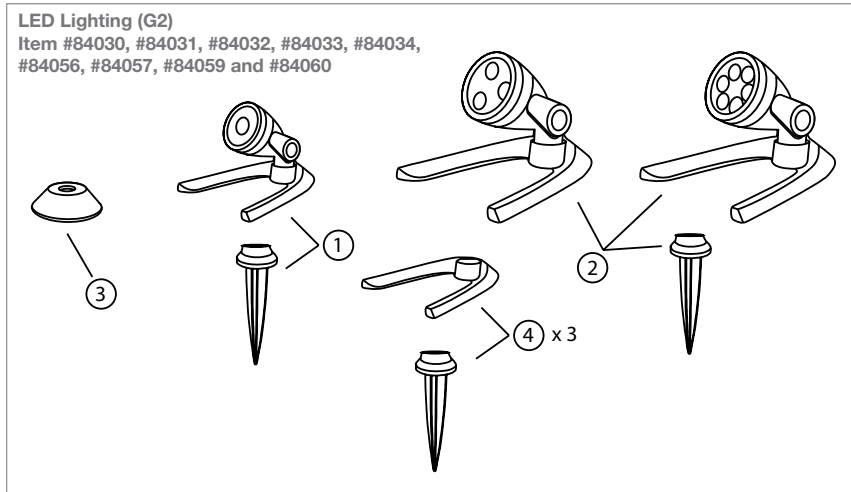
AERATION – PRO AIR POND

DIAGRAM #	ITEM #	PRODUCT NAME	WEIGHT
PRO AIR POND AERATION KITS - ITEM #61008, #61009, #61000			
①	61004	<i>Pond Aerator PRO - Removeable Lid</i>	0.1
②	61005	<i>Pond Aerator PRO - Air Inlet Sponge Filter (qty 3)</i>	0.1
③	61002	<i>Pond Aerator PRO - Airline 30'</i>	2.2
④	61003	<i>Pond Aerator PRO - Check Valve</i>	0.1
⑤	61001	<i>Pond Aerator PRO - 8" Aeration Disc</i>	2.5
	61007	<i>Pond Aerator PRO - Replacement Diaphragm</i>	0.5
⑥	61015	<i>Pro Air 20 Compressor Renew Kit</i>	0.25
⑦	61010	<i>10" Rubber Membrane Aeration Diffuser</i>	1.25
	61011	<i>Weighted Aeration Tubing 3/8" x 25'</i>	3.5
	61014	<i>Weighted Aeration Tubing 3/8" x 100'</i>	13.75
⑧	61012	<i>2-way Aeration Compressor Manifold</i>	0.25
⑨	99159	<i>Barbed Coupling 3/8"</i>	0.1
⑩	61016	<i>Pro Air 60 Aeration Compressor</i>	13.25
⑪	61017	<i>Pro Air 20 Aeration Compressor</i>	5.5



LIGHTING

DIAGRAM #	ITEM #	PRODUCT NAME	WEIGHT
LED LIGHTING (G2) - ITEM #84030, #84031, #84032, #84033, #84034, #84056, #84057, #84059, #84060			
①	84035	<i>Garden and Pond 1-Watt LED Spotlight (G2) - Replacement Mounting Kit</i>	0.25
②	84036	<i>Garden and Pond 3-Watt/6-Watt LED Spotlight (G2) - Replacement Mounting Kit</i>	0.5
③	84037	<i>Garden and Pond 1-Watt LED Waterfall and Up Light (G2) - Replacement Base</i>	0.25
④	84038	<i>Garden and Pond LED Spotlight Kit (G2) - Replacement Mounting Kit</i>	0.3



LIGHTING – LED SPOTLIGHT

DIAGRAM #	ITEM #	PRODUCT NAME	WEIGHT
3-WATT LED SPOTLIGHT - ITEM #98488, #98927**			
①	98490	3-Watt LED Spotlight Replacement Bulb (Discontinued)	0.1
②	84013	3-Watt LED Spotlight Replacement Lens Cover and Gasket	2.4
③	84012	3-Watt LED Spotlight Mounting Kit	2.0

**NOT COMPATIBLE WITH #84033

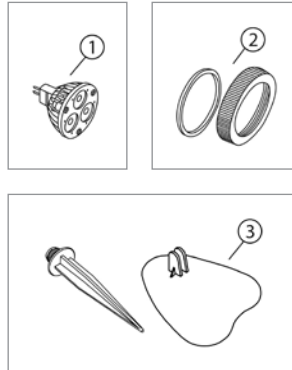
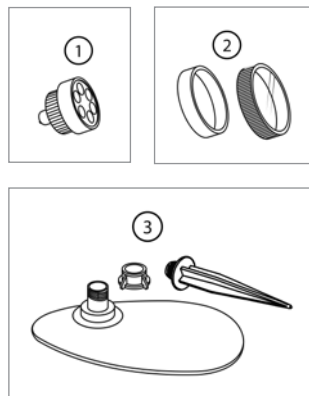


DIAGRAM #	ITEM #	PRODUCT NAME	WEIGHT
6-WATT LED SPOTLIGHT - ITEM #84002**			
①	84005	6-Watt LED Spotlight Replacement Bulb (Discontinued)	0.4
②	84006	6-Watt LED Spotlight Replacement Lens Cover and Gasket	5.8
③	84007	6-Watt LED Spotlight Mounting Kit	4.0

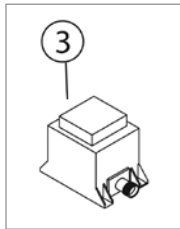
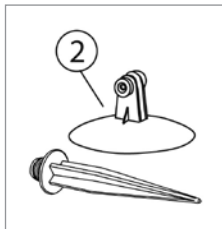
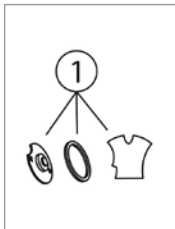
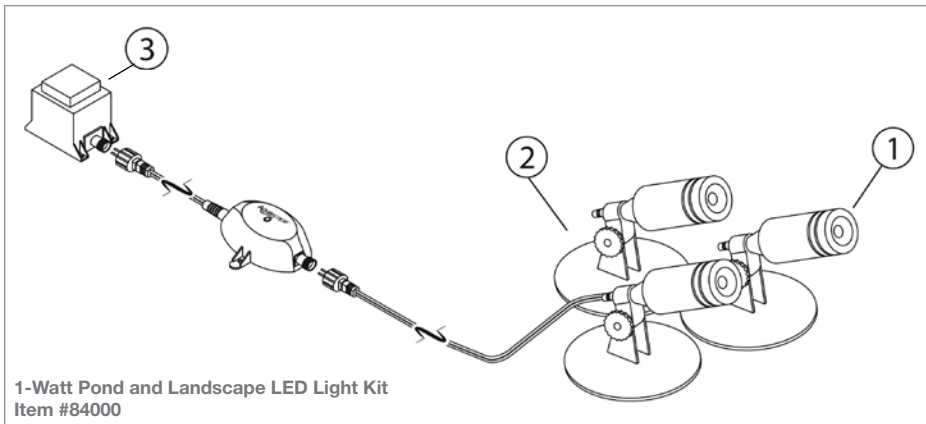
**NOT COMPATIBLE WITH #84034



LIGHTING – POND AND LANDSCAPE LED

DIAGRAM #	ITEM #	PRODUCT NAME	WEIGHT
1-WATT POND AND LANDSCAPE LED LIGHT KIT - ITEM #84000**			
①	84024	1-Watt LED Replacement Bulb - Yellow - HR* (qty 1)	0.1
①	84025	1-Watt LED Replacement Bulb - Red - HR* (qty 1)	0.1
①	84026	1-Watt LED Replacement Bulb - Green - HR* (qty 1)	0.1
①	84027	1-Watt LED Replacement Bulb - Blue - HR* (qty 1)	0.1
②	84011	1-Watt LED Spotlight Mounting Kit (qty 1)	0.1
③	98375	Garden and Pond 6-Watt 12V Quick-Connect Transformer	0.5

**NOT COMPATIBLE WITH #84030, #84031, AND #84032



LIGHTING – LED BULLET SPOTLIGHT

DIAGRAM #	ITEM #	PRODUCT NAME	WEIGHT
1-WATT LED BULLET SPOTLIGHT - ITEM #98283, #98926**			
①	98452	1-Watt LED Replacement Bulb - Natural White	0.1
①	98370	1-Watt LED Replacement Bulb - Red	0.1
①	98371	1-Watt LED Replacement Bulb - Blue	0.1
①	98372	1-Watt LED Replacement Bulb - Green	0.1
①	98373	1-Watt LED Replacement Bulb - Yellow (Discontinued)	0.1
②	84011	1-Watt LED Spotlight Mounting Kit	1.5

**NOT COMPATIBLE WITH #84030, #84031, AND #84032

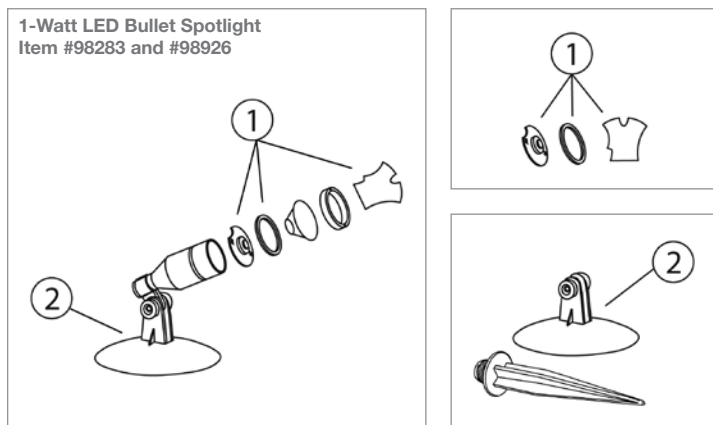
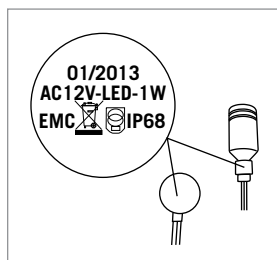


DIAGRAM #	ITEM #	PRODUCT NAME	WEIGHT
1-WATT LED BULLET SPOTLIGHT HR - ITEM #98283, #98926**			
①	84024	1-Watt LED Replacement Bulb - Yellow - HR*	0.1
①	84025	1-Watt LED Replacement Bulb - Red - HR*	0.1
①	84026	1-Watt LED Replacement Bulb - Green - HR*	0.1
①	84027	1-Watt LED Replacement Bulb - Blue - HR*	0.1

**FOR LIGHTS WITH DATE CODE 01/2013 OR LATER - SEE DRAWING FOR DATE CODE LOCATION
NOT COMPATIBLE WITH #84030, #84031, AND #84032



Date code is located at base of light on mounting bracket.

LIGHTING - LED WATERFALL

DIAGRAM #	ITEM #	PRODUCT NAME	WEIGHT
1-WATT LED WATERFALL LIGHT - ITEM #98487, #98928**			
①	98370	1-Watt LED Replacement Bulb - Red	0.1
①	98371	1-Watt LED Replacement Bulb - Blue	0.1
①	98372	1-Watt LED Replacement Bulb - Green	0.1
①	98452	1-Watt LED Replacement Bulb - Natural White	0.1
②	98791	1-Watt LED Waterfall Light Replacement Base	0.5

**NOT COMPATIBLE WITH #84032

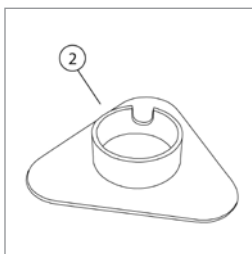
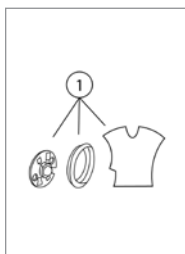
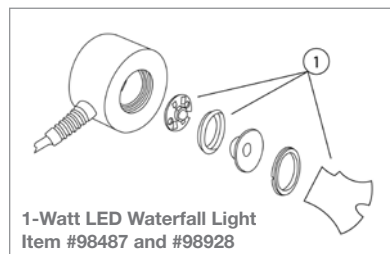
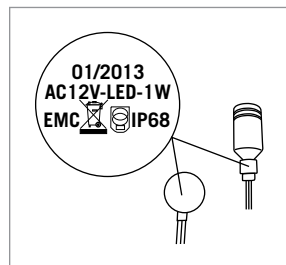


DIAGRAM #	ITEM #	PRODUCT NAME	WEIGHT
1-WATT LED WATERFALL LIGHT HR - ITEM #98487, #98928**			
①	84024	1-Watt LED Replacement Bulb - Yellow - HR*	0.1
①	84025	1-Watt LED Replacement Bulb - Red - HR*	0.1
①	84026	1-Watt LED Replacement Bulb - Green - HR*	0.1
①	84027	1-Watt LED Replacement Bulb - Blue - HR*	0.1

**FOR LIGHTS WITH DATE CODE 01/2013 OR LATER - SEE DRAWING FOR DATE CODE LOCATION
NOT COMPATIBLE WITH #84030, #84031, AND #84032



Date code is located on the bottom of light.

LIGHTING – PATH AND AREA LANDSCAPE

DIAGRAM #	ITEM #	PRODUCT NAME	WEIGHT
PATH AND AREA 3-WATT LED HAT TOP LANDSCAPE LIGHT - ITEM #84063 PATH AND AREA 3-WATT DOME TOP LANDSCAPE LIGHT - ITEM #84064**			
①	84067	<i>Path and Area 3-Watt LED Replacement Bulb</i>	0.1

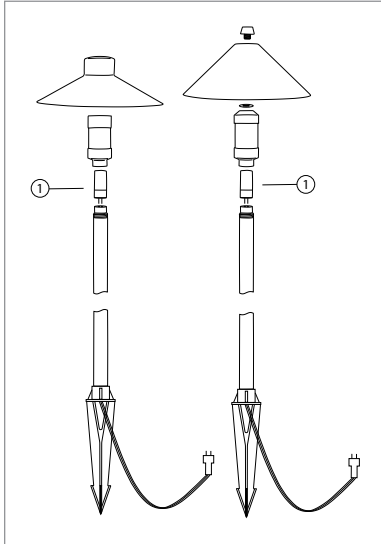


DIAGRAM #	ITEM #	PRODUCT NAME	WEIGHT
20-WATT HEX HEAD HALOGEN LIGHT - ITEM #01000			
①	01006	<i>20-Watt Halogen Replacement Bulb</i>	0.05
	29000	<i>20-Watt Hex Head Colored Lens - NOT SHOWN</i>	0.75

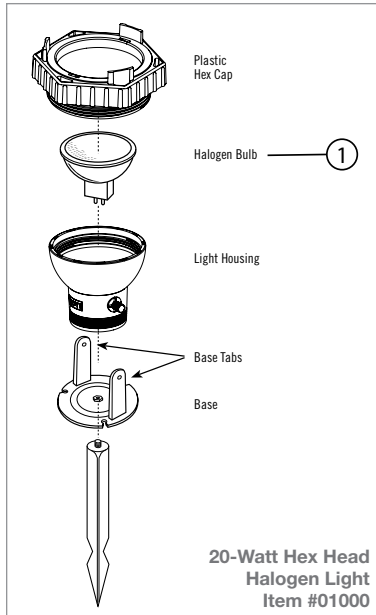
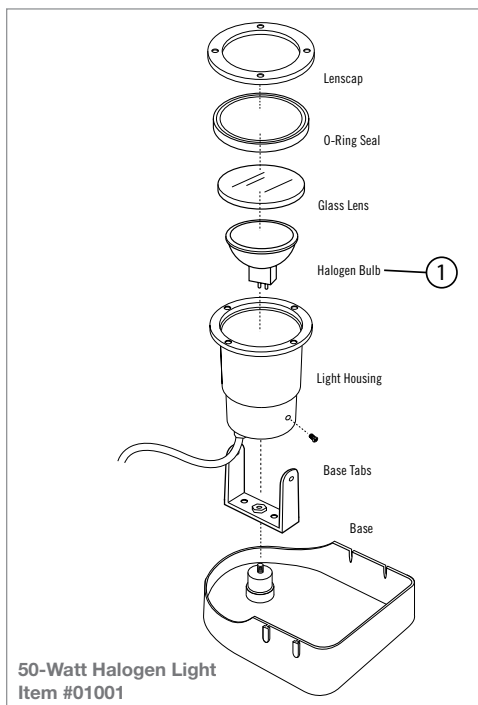
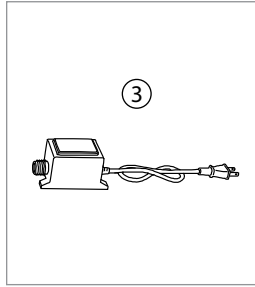
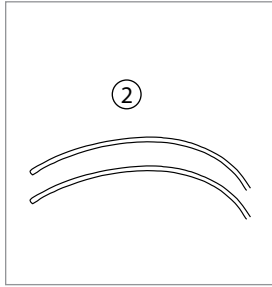
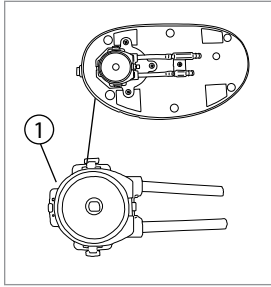


DIAGRAM #	ITEM #	PRODUCT NAME	WEIGHT
50-WATT HALOGEN LIGHT - ITEM #01001			
①	01007	<i>50-Watt Halogen Replacement Bulb</i>	0.75



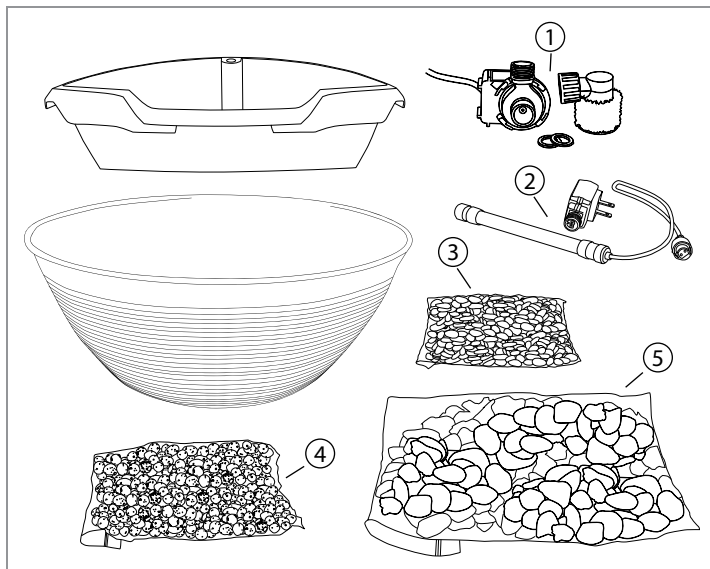
WATER TREATMENTS

DIAGRAM #	ITEM #	PRODUCT NAME	WEIGHT
AUTOMATIC DOSING SYSTEMS - ITEM #96030, #96031			
①	96040	<i>Automatic Dosing System Replacement Pump Cartridge</i>	0.1
②	96041	<i>Automatic Dosing System Replacement Discharge Tubing</i>	0.1
③	98375	<i>Garden and Pond 6-Watt 12V Quick-Connect Transformer</i>	0.5



DECORATIVE

DIAGRAM #	ITEM #	PRODUCT NAME	WEIGHT
FIRE FOUNTAIN			
	78213	<i>Fire Fountain Fire Pot Kit</i>	1.10
	78215	<i>Fire Fountain Replacement Wicks (3 pack)</i>	.50
AQUAGARDEN MINI POND KIT			
①	78326	<i>AquaGarden Mini Pond Pump with Low Suction</i>	1.75
②	78327	<i>AquaGarden Mini Pond Light with Transformer and Rubber Clips</i>	1.0
③	78328	<i>AquaGarden Mini Clay Grow Media</i>	1.75
④	78329	<i>AquaGarden Mini Black Filter Gravel</i>	5.5
⑤	78330	<i>AquaGarden Mini Bottom Gravel</i>	7.75



PIPE AND PLUMBING

DIAGRAM #	ITEM #	PRODUCT NAME	WEIGHT
2" CHECK VALVE - ITEM #48021, #48022, #48023, #48024			
①	48021	2" Check Valve Threaded Collar (set of 2)	0.5
②	48022	2" Check Valve O-Rings (set of 4)	0.5
④	48023	2" Check Valve 2" MPT x 2" Slip Fitting	0.5
③	48024	2" Check Valve 1.5" FPT x 2" Slip Fitting	0.5

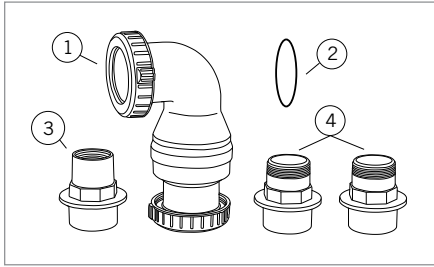
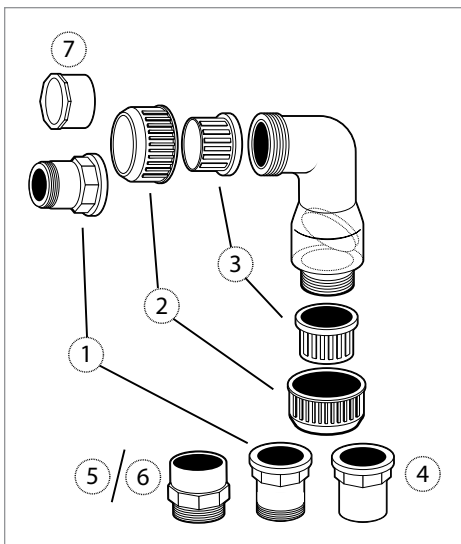


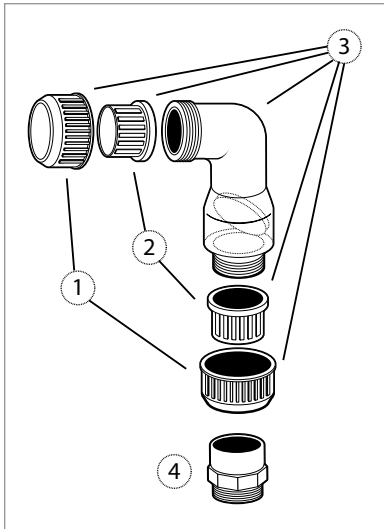
DIAGRAM #	ITEM #	PRODUCT NAME	WEIGHT
2" CHECK VALVE - ITEM #29108, #29501, #29099, #29503, #29502**			
①	29511	Signature Skimmer Check Valve Adapter	0.1
②	29515	2" Check Valve Threaded Collar	0.1
③	29513	2" Check Valve Slip Fitting	0.1
④	29475	AquaSurge® Check Valve Adapter	0.2
⑤	29158	2" MPT x Slip	0.2
⑥	99144	1.5" MPT x 2" Slip	0.2
⑦	29262	2" Insert x 1.5" Slip - (when using 1.5" Flex PVC)	0.1

**NOT COMPATIBLE WITH #48026



CHECK VALVES

DIAGRAM #	ITEM #	PRODUCT NAME	WEIGHT
3" CVA CHECK VALVE - ITEM #29098			
①	29524	3" Check Valve Threaded Collar	0.2
②	29514	3" Check Valve Slip Fitting	0.2
③	29512	3" Dual Union Check Valve	4.7
④	29159	3" MPT x Slip	0.6



**SKIMMER AND
BIOFALLS®
REFERENCE
CHARTS**

SKIMMER REFERENCE CHART

A parts and information breakdown for current and older generation Aquascape pond skimmers

SKIMMER MODEL



Classic MicroSkim®
(#60010)

6" opening (weir)
Max Pump GPH = 2,000



**Signature Series™ 200
Pond Skimmer (#43020)
Signature MicroSkim®**
(#99771)

6" opening (weir)
Max Pump GPH = 3,000



PondSweep® SK700
(#00250)

8" opening (weir)
Max Pump GPH = 3,000



UltraSkim™ 6
(#99299)

6" opening (weir)
Max Pump GPH = 4,000



**Classic Series
Standard Skimmer**
(#09015)

6" opening (weir)
Max Pump GPH = 4,000



**Signature Series™
6.0 Pond Skimmer**
(#09019)

6" opening (weir)
Max Pump GPH = 4,000



**Signature Series™ 400
Pond Skimmer**
(#43021)

6" opening (weir)
Max Pump GPH = 4,000

DEBRIS NET/BASKET



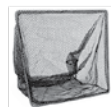
(#99219)
12.75"W x 12.25"H



(#99775)
16"W x 12.75"H



(#60210)
17.5"W x 12"H



(#99301)
17.5"W x 15.5"H



(#29146)
21" x 11" x 11"
7" opening



(#29003)

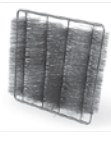


(#43007)

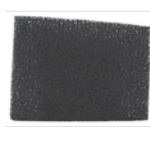
FILTER MEDIA



(#99218)
(Set of 4) 13" tall



(#99772)
15.5" x 4" x 12.75"



(#41281)
16.5" x 21" x 1.5"



(#99302)
(Set of 3) 16" tall



(#29073)
18" x 15" x 2"



(#29004)
13.8" x 18.5" x 2"



(#43011)
14" x 17.5" x 1.5"

DIMENSIONS & CONTENTS

Skimmer Dimensions:
20" tall
20" wide (top)
12" wide (bottom)
16" deep (top)
14.5" deep (bottom)

Faceplate:
10.75" x 6.75" x 3.5" (#29254)

Skimmer Dimensions:
17.5" tall
17.5" wide (bottom)
20" deep (top)

Faceplate:
10.75" x 6.75" x 3.5" (#29254)

Skimmer Dimensions:
23" tall
19.5" wide (top)
23" deep (top)

Faceplate:
U-shaped Frame (#41138)

Skimmer Dimensions:
24" tall
19" wide (top)
15" wide (bottom)
24" deep (top)
18" deep (bottom)

Faceplate:
10.75" x 6.75" x 3.5" (#29254)

Skimmer Dimensions:
25" tall
20.5" wide (top)
17" wide (bottom)
16" deep (top)
13" deep (bottom)

Faceplate:
10.75" x 6.75" x 3.5" (#29254)

Skimmer Dimensions:
26.5" tall
21" wide (top)
22" deep (top)

Faceplate:
Weir Plate (#29529)
Slide Plate (#29214)
Liner Plate (#29215)

Skimmer Dimensions:
21" tall
18" wide (top)
21.5" deep (top)

Faceplate:
10.75" x 9.25" x 3" (#43006)

Weir (flapper door):
(1) 6" Weir (#29257) 5.25" x 5.375" (1) 6" Weir (#29257) 5.25" x 5.375"

Hardware:
Held with (13) screws (2x #30078)
Contains (13) gromets (#29932)

Filter Mat Support Rack:
None

Additional Fittings:
(1) 2" MPT x 1.5" HB (#99925)
(1) Hose Clamp (#99993)
(1) 2" Bulkhead Fitting (#29103)
(1) 2" MPT x 1.5" Slip (#29157)

Weir (flapper door):
(1) 6" Weir (#29257) 5.25" x 5.375"

Hardware:
Held with (13) screws (2x #30078)
Contains (13) gromets (#29932)

Filter Mat Support Rack:
None

Additional Fittings:
(1) 2" MPT x 1.5" HB (#99925)
(1) Hose Clamp (#99993)
(1) 2" Bulkhead Fitting (#29103)
(1) 2" MPT x 1.5" Slip (#29157)

Bellows (accordion door):
(1) 8" Bellows (#41068)

Hardware:
Bellows has (1) screw set (#41046)
(1) latch tab kil (#29753)

Filter Mat Support Tray:
16" x 14" x 21" (#41224)

Additional Fittings:
(1) .75" x 16" support pipe (#41244)

Weir (flapper door):
(1) 6" Weir (#29257) 5.25" x 5.375"

Hardware:
Held with (15) screws (2x #30078)
Contains (15) gromets (#29932)

Filter Mat Support Rack:
None

Additional Fittings:
(1) 2" MPT x 1.5" Slip (#29157)
(1) 2" Bulkhead Fitting (#29103)
(1) 1" x 20" support pipe (#98008)

Weir (flapper door):
(1) 6" Weir (#29257) 5.25" x 5.375"

Hardware:
Held with (15) screws (2x #30078)
Contains (15) gromets (#29932)

Filter Mat Support Rack:
18" x 13.5" x 2.5" (#29074)

Additional Fittings:
(1) 2" MPT x 1.5" Slip (#29157)
(1) 2" Bulkhead Fitting (#29103)
(1) 2" MPT x 2" Slip (#29158)

Weir (flapper door):
(1) 6" Weir (#29530) 5.125" x 5.75"

Hardware:
Held with (16) screws (2x #30078)

Filter Mat Support Rack:
17.375" x 16.75" x 1.25" (#29655)

Additional Fittings:
(1) bag) screws for basket (#29217)
(2) Thumb screws (#29588)
(2) 2" Bulkhead Fitting (#29103)
(2) 2" MPT x 2" Slip (#29158)
(1) Overflow elbow (#29149)

Weir (flapper door):
(#43005) 7" x 6" x 1"

Hardware:
Held with (12) screws (2x #30078)

Filter Mat Support Rack:
14" x 4" x 1.25" (#43008)

Additional Fittings:
(2) 2" Bulkhead (#29103)
2" Plug (#29394)
(2) 2" MPT x 2" Slip (#29158)
(2) 2" MPT x 1.5" Slip (#29157)

SKIMMER REFERENCE CHART

SKIMMER MODEL					
					
PondSweep® SK900 (#00900)	UltraSkim™ 8 (#99300)	Classic Series Large Skimmer (#09016)	Signature Series™ 8.0 Pond Skimmer (#29349)	Signature Series™ 1000 Pond Skimmer (#43022)	Classic Series Grande Skimmer (#09017)
10" opening (weir) Max Pump GPH = 7,000	8" opening (weir) Max Pump GPH = 10,000	8" opening (weir) Max Pump GPH = 10,000	8" opening (weir) Max Pump GPH = 10,000	8" opening (weir) Max Pump GPH = 10,000	15.4" opening (weir) Max Pump GPH = 20,000
DEBRIS NET/BASKET					
					
(#41206) 22"W x 15"H	(#99301) 17.5"W x 15.5"H	(#29075) 21" x 11" x 11" 9" opening	(#29003)	(#43009) Debris Basket (no handle) (#43016) Debris Basket Handle	(#29071) 21" x 11" x 10" 16.5" opening
FILTER MEDIA					
					
(#41282) 21" x 26.5" x 1.5"	(#99302) (Set of 3) 16" tall	(#29073) 18" x 15" x 2"	(#29004) 13.8" x 18.5" x 2"	(#56000) 17.75" x 13.25" x 1.5"	
Skimmer Dimensions: 29" tall 25" wide (top) 23" deep (top)	Skimmer Dimensions: 24" tall 19" wide (top) 15" wide (bottom) 24" deep (top) 18" deep (bottom)	Skimmer Dimensions: 25" tall 20.5" wide (top) 17" wide (bottom) 16" deep (top) 13" deep (bottom)	Skimmer Dimensions: 26.5" tall 21" wide (top) 22" deep (top)	Skimmer Dimensions: 26.5" tall 22" wide (top) 21" deep (top)	Skimmer Dimensions: 30" tall 40" wide (top) 20" deep (top)
Faceplate: U-shaped Frame (#41139)	Faceplate: 10.75" x 8.75" x 3.5" (#29255)	Faceplate: 10.75" x 8.75" x 3.5" (#29255)	Faceplate: Weir Plate (#29213) Slide Plate (#29214) Liner Plate (#29215)	Faceplate: Full Assembly (#43010)	Faceplate: 19.375" x 10.125" x 3.375" (#29256)
Bellows (accordion door): (1) 10" Bellows (#41065)	Weir (flapper door): (1) 8" Weir (#29258) 5.25" x 7.375"	Weir (flapper door): (1) 8" Weir (#29258) 5.25" x 7.375"	Weir (flapper door): (1) 8" Weir (#29258) 5.25" x 7.375"	Weir (flapper door): (1) 8" Weir (#43013) 5.25" x 8.5"	Weir (flapper door): (1) 15.4" Weir (#29259) 5.375" x 7.375"
Hardware: Bellows has (1) screw set (#41046) (1) latch tab kit (#29753)	Hardware: Held with (15) screws (2x #30078) Contains (15) gromets (#29932)	Hardware: Held with (15) screws (2x #30078) Contains (15) gromets (#29932)	Hardware: Held with (16) screws (2x #30078)	Hardware: Hardware Bag (#43027) includes (12) screws (2) Installation tools	Hardware: Held with (20) screws (#54002) Contains (20) gromets (#29932)
Filter Mat Support Tray: 21" x 28.5" x 17.5" (#41257)	Filter Mat Support Rack: None	Filter Mat Support Rack: 18" x 13.5" x 2.5" (#29074)	Filter Mat Support Rack: 17.375" x 16.75" x 1.25" (#29655)	Filter Mat Support Tray: 17.375" x 16.75" x 1.25" (#29655)	Filter Mat Support Rack: 20" x 19.25" x 2.75" (#29070)
Additional Fittings: (1) .75" x 20.875" support pipe (#41234)	Additional Fittings: (1) 2" MPT x 1.5" Slip (#29157) (1) 2" Bulkhead Fitting (#29103) (1) 1" x 20" support pipe (#98008)	Additional Fittings: (1) 2" MPT x 1.5" Slip (#29157) (1) 2" Bulkhead Fitting (#29103) (1) 2" MPT x 2" Slip (#29158)	Additional Fittings: (1) bag screws for basket (#29217) (2) Thumb screws (#29588) (2) 2" Bulkhead Fitting (#29103) (2) 2" MPT x 2" Slip (#29158) (1) Overflow elbow (#29149)	Additional Fittings: (1) 2" Plug (#29394) (2) Thumb screws (#43015) (2) 2" Bulkhead Fitting (#29103) (2) 2" MPT x 2" Slip (#29158) (1) Overflow elbow (#29149)	Additional Fittings: (1) 2" Bulkhead Fitting (#29103) (1) 2" MPT x 2" Slip (#29158)

Items displayed on this reference chart may be discontinued and no longer available. For availability, contact Customer Care at (866) 877-6637.

BIOFALLS® REFERENCE CHART

A parts and information breakdown for current and older generation Aquascape BioFalls®

BIOFALLS® MODEL



Classic MicroFalls™
(#60016)
 15" spillway
 1,000 Gallons - Max GPH 2,000



Signature Series™ 1000 BioFalls® Filter
(#99774)
 15" spillway
 1,000 Gallons - Max GPH 3,000



Classic Series Mini BioFalls® Filter
(#09009)
 23" spillway
 2,500 Gallons - Max GPH 5,000



UltraFalls™
(#99294)
 19" spillway
 4,000 Gallons - Max GPH 5,000



Classic Series Standard BioFalls® Filter
(#09010)
 23" spillway
 4,000 Gallons - Max GPH 7,000

FILTER MEDIA



(#99216)
 10" x 14" x 2" x2



(#99776)
 14.25" x 13.25" x 2" x2



(#29082)
 17.5" x 20.25" x 2" x3



(#29082)
 17.5" x 20.25" x 2" x2



(#29080)
 27" x 29" x 15" x 2" x3

DIMENSIONS & CONTENTS

BioFalls® Dimensions:
 18" tall
 21.5" deep (top)
 14" deep (bottom)
 15" wide (top)
 9" wide (bottom)

BioBalls™ Count:
 Includes (1) Media Net (#29069)
 Holds (1) box of BioBalls™ (#98464)

BioFalls® Lip & Hardware:
 (1) 10" Batten Strip
 Held with (8) screws (#30078)
 Contains (8) gromets (#29932)

Filter Mat Support Rack:
 Built-in

Included Fittings:
 (1) 2" MPT x 1.5" HB (#99925)
 (1) Hose Clamp (#99993)
 (1) 2" Bulkhead (#29103)
 (1) 2" MPT x 1.5" Slip (#29157)

BioFalls® Dimensions:
 17" tall
 17.5" deep (top)
 20.5" wide (top)

BioBalls™ Count:
 Includes (1) Media Net (#29069)
 Holds (1) box of BioBalls™ (#98464)

BioFalls® Lip & Hardware:
 (1) 15" Lip (#99791)
 Held with (8) screws (#30078)
 Contains (8) gromets (#29932)

Filter Mat Support Rack:
 Built-in

Included Fittings:
 (1) 2" MPT x 1.5" HB (#99925)
 (1) Hose Clamp (#99993)
 (1) 2" Bulkhead (#29103)
 (1) 2" MPT x 1.5" Slip (#29157)

BioFalls® Dimensions:
 25.5" tall
 16" wide (top)

BioBalls™ Count:
 Includes (2) Media Nets (#29069)
 Holds (2) boxes of BioBalls™ (#98464)

BioFalls® Lip & Hardware:
 (1) 25.75" Lip (#29245)
 Held with (13) screws (#54001)
 Contains (13) gromets (#29932)

Filter Mat Support Tray:
 20-1/4" x 17" x 1-1/2" (#29242)

Included Fittings:
 (1) 2" MPT x 2 Slip (#29158)
 (1) 2" Bulkhead (#29103)
 (1) 2" MPT x 1.5" Slip (#29157)

BioFalls® Dimensions:
 25" tall
 27" deep (top)
 18" deep (bottom)
 26" wide (top)
 21" wide (bottom)

BioBalls™ Count:
 Includes (2) Media Nets (#29069)
 Holds (2) boxes of BioBalls™ (#98464)

BioFalls® Lip & Hardware:
 (1) 21.75" Lip (#99672)
 Held with (16) screws (2x #30078)
 Contains (16) gromets (#29932)

Filter Mat Support Rack:
 20-1/4" x 17" x 1-1/2" (#29083)

Included Fittings:
 (1) 2" MPT x 1.5" HB (#99925)
 (1) 2" MPT x 2 Slip (#29158)
 (1) 2" Bulkhead (#29103)
 (1) 2" Insert x 1.5" Slip (#29262)

BioFalls® Dimensions:
 29" tall
 36" deep (bottom)
 42" wide (top)

BioBalls™ Count:
 Includes (3) Media Nets (#29069)
 Holds (3) boxes of BioBalls™ (#98464)

BioFalls® Lip & Hardware:
 (1) 25.75" Lip (#29245)
 Held with (16) screws (2x #30078)
 Contains (16) gromets (#29932)

Filter Mat Support Rack:
 25" x 25" x 1-1/2" (#29081)

Included Fittings:
 (1) 2" MPT x 2 Slip (#29158)
 (1) 2" Bulkhead (#29103)

STONE LIP & ROCK TRAY



(#60021)

ROCK TRAY UNAVAILABLE



(#60021)

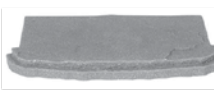


(#98285)



(#29247)

ROCK TRAY UNAVAILABLE



(#99668)

ROCK TRAY UNAVAILABLE



(#29247)

ROCK TRAY UNAVAILABLE

BIOFALLS® REFERENCE CHART



**Signature Series™ 2500
BioFalls® Filter
(#09020)**
21.5" spillway
2,500 Gallons - Max GPH 5,000



**Signature Series™ 6000
BioFalls® Filter
(2" #29319 or 3" #29384)**
28" spillway
6,000 Gallons - Max GPH 15,000



**MegaFalls™
(#99297)**
40" spillway
6,000 Gallons - Max GPH 15,000



**Classic Series
Grande BioFalls® Filter
(#09011)**
53" spillway
10,000 Gallons - Max GPH 15,000

BIOFALLS® MODEL



(#29010)
18" x 22" x 2"

x2



(#29318)
28.6" x 22.7" x 2"

x2



(#99298)
20.5" x 35.5" x 2"

x2



(#29078)
27" x 57" x 29" x 2"

x3

FILTER MEDIA

BioFalls® Dimensions:
20" tall
36" deep (bottom)
42" wide (top)

BioFalls® Dimensions:
29.5" tall
40" deep (top)
45" wide (top)

BioFalls® Dimensions:
26" tall
28" deep (top)
17" deep (bottom)
44" wide (top)
32" wide (bottom)

BioFalls® Dimensions:
36" tall
44" deep (top)
24" deep (bottom)
76.5" wide (top)

BioBalls™ Count:

Includes (2) Media Nets (#29069)
Holds (2) boxes of BioBalls™ (#98464)

BioBalls™ Count:

Includes (3) Media Nets (#29069)
Holds (3) boxes of BioBalls™ (#98464)

BioBalls™ Count:

Includes (4) Media Nets (#29069)
Holds (4) boxes of BioBalls™ (#98464)

BioBalls™ Count:

Includes (5) Media Nets (#29069)
Holds (5) boxes of BioBalls™ (#98464)

BioFalls® Lip & Hardware:

(1) 24" Lip (#29220)
Held with (13) screws (#54001)
Contains (13) gromets (#29932)

BioFalls® Lip & Hardware:

(1) 31.75" Lip (#29324)
Held with (13) screws (#54001)
Contains (13) gromets (#29932)

BioFalls® Lip & Hardware:

(1) 43.5" Lip (#99505)
Held with (20) screws (#54002)
Contains (20) gromets (#29932)

BioFalls® Lip & Hardware:

(1) 51.5" Lip (#29246)
Held with (20) screws (#54002)
Contains (20) gromets (#29932)

Filter Mat Support Rack:

21" x 18" x 18" (#29281)

Filter Mat Support Rack:

25-3/4" x 23-1/4" x 1-1/2" (#29317)

Filter Mat Support Tray:

20-1/4" x 17" x 1-1/2" (#29083)

Filter Mat Support Rack:

(2) 25" x 25" x 1-1/2" (#29081)

Included Fittings:

(1) 2" MPT x 2 Slip (#29158)
(2) 2" Bulkhead (#29103)
(1) 2" MPT x Hex Plug (#29394)

Included Fittings:

(1) 2" MPT x 2 Slip (#29158)
(2) 2" Bulkhead (#29103)
(1) 2" MPT x Hex Plug (#29394)

Included Fittings:

(1) 2" MPT x 2 Slip (#29158)
(1) 2" Bulkhead (#29103)
(1) 2" MPT x 2" Barb (#29722)
(1) Hose Clamp (#99994)

Included Fittings:

(1) 3" MPT x 3 Slip (#29159)
(1) 3" Bulkhead (#29104)

DIMENSIONS & CONTENTS



(#29282)

STONE LIP UNAVAILABLE

STONE LIP UNAVAILABLE

STONE LIP UNAVAILABLE



(#29283)



(#29316)

ROCK TRAY UNAVAILABLE

ROCK TRAY UNAVAILABLE

STONE LIP & ROCK TRAY

Items displayed on this reference chart may be discontinued and no longer available. For availability, contact Customer Care at (866) 877-6637.



901 Aqualand Way • St. Charles, IL 60174
Toll Free: (866) US-PONDS or (866) 877-6637
Customer Service Fax: (630) 659-2100
Technical Support Fax: (630) 824-3194
Email: customer-care@aquascapeinc.com

1200 Creditstone Road, Unit 1 • Concord, Ontario L4K 5T2
Toll Free: (866) 766-3426
Customer Service Fax: (905) 454-7310
Email: customerservicecanada@aquascapeinc.com